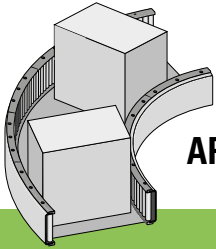


Chains & sprockets	Wear strips	Side guide brackets & accessories	Levelers	Engineering manual
Modular belts & sprockets	Chain & belt return systems	Frame & structure supports	Bearing supports	
Curves & tracks	Side guide solutions	Miscellaneous products	Equipment	

5 2 5 1 0 a

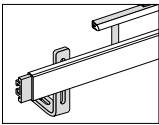
INDEX ROLLER SIDE GUIDES & ROLLER TRANSFER PLATES

www.SystemPlastSmartGuide.com



APPLICATION STRAIGHT & CURVES

For index side guides, go to:
5 1 5 1 0 a



LATERAL

CENTRAL

For flat bar 40X8

Loose modules
5 2 5 7 0 a

5 2 5 7 1 a

5 2 5 7 2 a

5 2 5 9 2 a

For flat bar 40X10

Loose Modules
5 2 5 9 0 a

5 2 6 1 2 a

ACCESSORIES

Aluminium **5 2 6 1 1 a** Aluminium **5 2 6 1 3 a**
PVC **5 2 6 1 0 a** PVC **5 2 6 1 0 a**

Loose profiles
5 2 6 5 0 a

Loose rollers
5 2 6 8 0 a

5 2 5 9 4 a

5 2 6 1 4 a

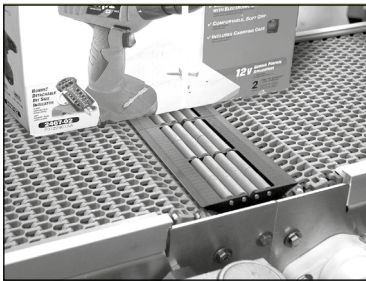
Can only be used straight
5 2 5 2 0 a

5 2 5 2 1 a

Loose modules
5 2 5 3 0 a

5 2 5 5 0 a

Information about this product is only available on our Smart Guide® website.



ROLLER TRANSFER PLATES

85 & 115 mm **6" & 9"**
5 2 6 7 0 a **5 2 6 7 1 a**

5 2 5 9 4 a

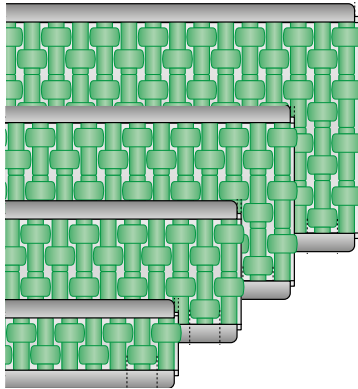
Chains & sprockets	Wear strips	Side guide brackets & accessories	Levelers	Engineering manual
Modular belts & sprockets	Chain & belt return systems	Frame & structure supports	Bearing supports	
Curves & tracks	Side guide solutions	Miscellaneous products	Equipment	



5 2 5 2 0 a

ROLLER SIDE GUIDES FOR STRAIGHT APPLICATIONS

www.SystemPlastSmartGuide.com



Material:

Straps in reinforced polyamide, rollers in acetal resin, screws in stainless steel. Pins and metal profile see the table.

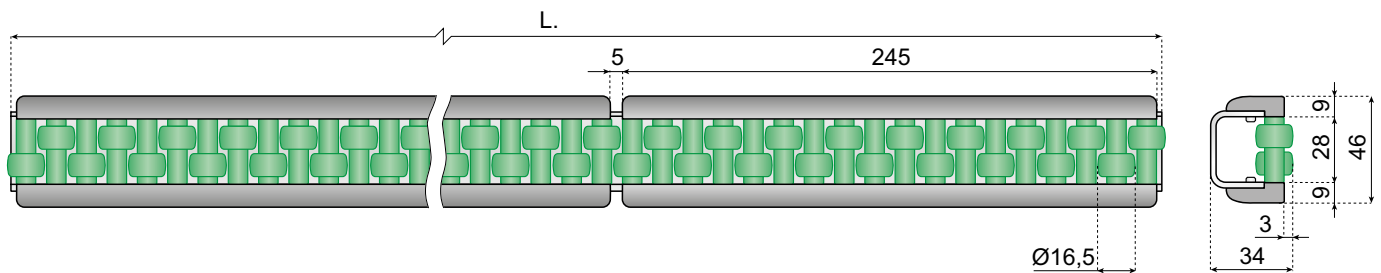
Standard packaging: 2 completely assembled guides.

Applications: designed for rugged boxes and containers.

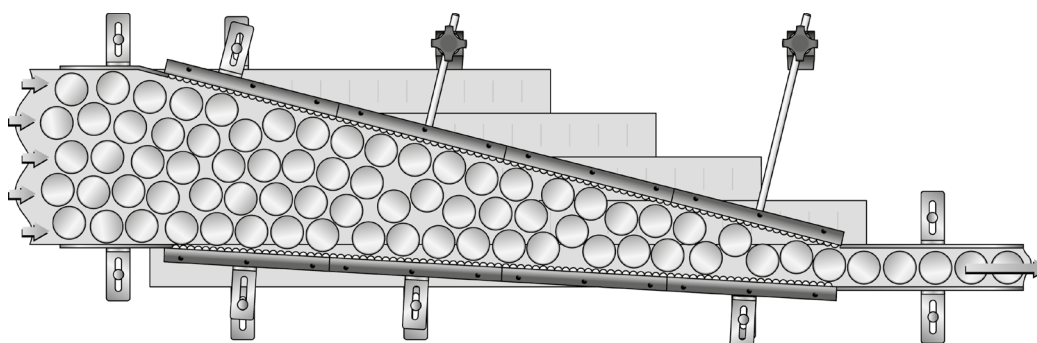
Note: each segment can be pulled out without removing pins and rollers.

Features:

- Low noise rollers.
- Excellent for accumulation areas.
- Long life and smooth operation.
- Easy and quick installation.



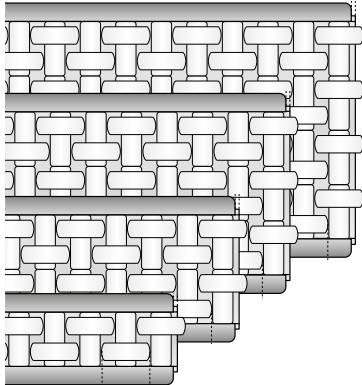
HEIGHT	L	PROFILE STAINLESS STEEL	PROFILE ZINC PLATED STEEL	PIN MATERIAL	Kg/m
		ROLLER GREEN (POM MATERIAL)			
ITEM DESCRIPTION					
	1 m	RG-165H46G1000S	RG-165H46G1000G	POM	2,4
	2 m	RG-165H46G2000S	RG-165H46G2000G		
	3 m	RG-165H46G3000S	RG-165H46G3000G		
	1 m	RG-165H71G1000S	RG-165H71G1000G	POM	3,5
	2 m	RG-165H71G2000S	RG-165H71G2000G		
	3 m	RG-165H71G3000S	RG-165H71G3000G		
	1 m	RG-165H96G1000S	RG-165H96G1000G	S/S AISI 430F	5,4
	2 m	RG-165H96G2000S	RG-165H96G2000G		
	3 m	RG-165H96G3000S	RG-165H96G3000G		
	1 m	RG-165H121G1000S	RG-165H121G1000G	S/S AISI 430F	6,6
	2 m	RG-165H121G2000S	RG-165H121G2000G		
	3 m	RG-165H121G3000S	RG-165H121G3000G		



Chains & sprockets	Wear strips	Side guide brackets & accessories	Levelers	Engineering manual
Modular belts & sprockets	Chain & belt return systems	Frame & structure supports	Bearing supports	
Curves & tracks	Side guide solutions	Miscellaneous products	Equipment	

5 2 5 2 1 a FLEXIBLE ROLLER MODULES FOR STRAIGHT AND CURVED SECTIONS

www.SystemPlastSmartGuide.com



Material:

Straps in reinforced polyamide, rollers in acetal resin, screws in stainless steel. Pins and metal profile see the table.

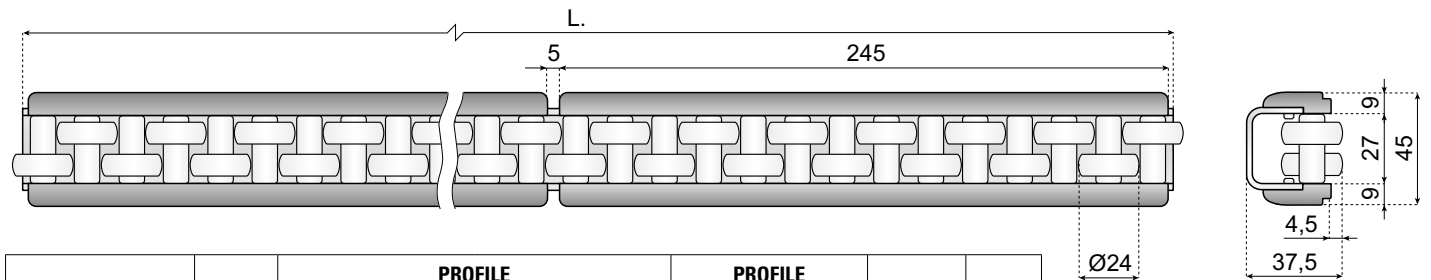
Standard packaging: 2 completely assembled guides.

Applications: designed for rugged boxes and containers.

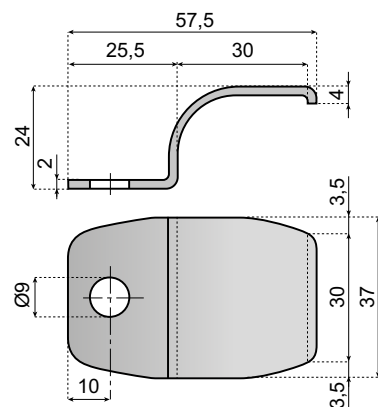
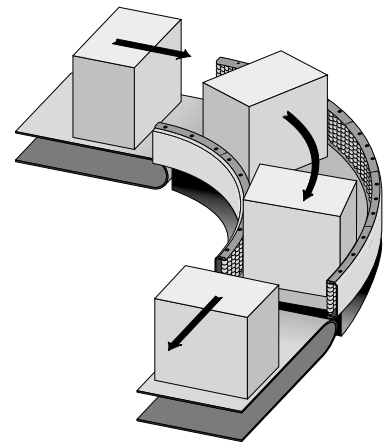
Note: each segment can be pulled out without removing pins and rollers. The design of the side strap provides a position for the clamp without the need for screws or other fixing methods on the conveyors.

Features:

- Low noise rollers.
- Excellent for accumulation areas.
- Long life and smooth operation.
- Easy and quick installation.



HEIGHT	L	PROFILE STAINLESS STEEL		PROFILE ZINC PLATED STEEL	PIN MATERIAL	Kg/m
		ROLLER WHITE	ROLLER BLACK ANTISTATIC	ROLLER WHITE		
ITEM DESCRIPTION						
	1 m	RG-240H45W1000S	RG-240H45SD1000S	RG-240H45W1000G	POM	2,0
	2 m	RG-240H45W2000S	RG-240H45SD2000S	RG-240H45W2000G		
	3 m	RG-240H45W3000S	RG-240H45SD3000S	RG-240H45W3000G		
	1 m	RG-240H70W1000S	RG-240H70SD1000S	RG-240H70W1000G	POM	3,1
	2 m	RG-240H70W2000S	RG-240H70SD2000S	RG-240H70W2000G		
	3 m	RG-240H70W3000S	RG-240H70SD3000S	RG-240H70W3000G		
	1 m	RG-240H95W1000S	RG-240H95SD1000S	RG-240H95W1000G	S/S AISI 430F	5,0
	2 m	RG-240H95W2000S	RG-240H95SD2000S	RG-240H95W2000G		
	3 m	RG-240H95W3000S	RG-240H95SD3000S	RG-240H95W3000G		
	1 m	RG-240H120W1000S	RG-240H120SD1000S	RG-240H120W1000G	S/S AISI 430F	6,2
	2 m	RG-240H120W2000S	RG-240H120SD2000S	RG-240H120W2000G		
	3 m	RG-240H120W3000S	RG-240H120SD3000S	RG-240H120W3000G		



CLAMP

Material	ITEM DESCRIPTION	
SS AISI 304	CL-H45S	n°50



Chains & sprockets	Wear strips	Side guide brackets & accessories	Levelers	Engineering manual
Modular belts & sprockets	Chain & belt return systems	Frame & structure supports	Bearing supports	
Curves & tracks	Side guide solutions	Miscellaneous products	Equipment	



5 2 5 3 0 a

ROLLER SIDE GUIDES FOR STRAIGHT AND CURVED APPLICATION

www.SystemPlastSmartGuide.com



Material:

Straps in reinforced polyamide, rollers in acetal resin. Pins and metal profile see the table.

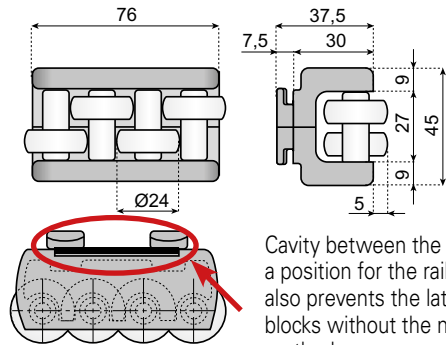
Supply: single module L. 76 mm.

Standard packaging: 50 modules.

Applications: designed for rugged boxes and containers.

Features:

- Excellent for accumulation areas.
- Easy and quick installation.
- Low noise rollers.
- Long life and smooth operation.

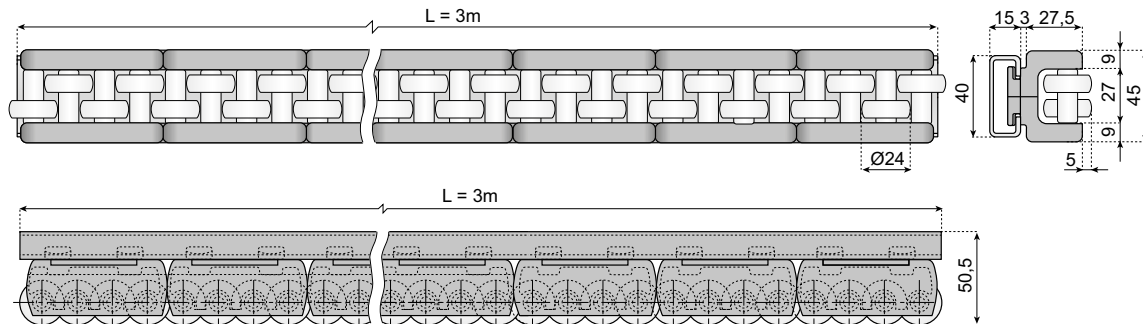


Cavity between the rail and the roller block provides a position for the rail clamp and this design feature also prevents the lateral movement of the roller blocks without the need for screws or other fixing methods.

LOOSE MODULES

Kg/m	Pin Material	ROLLER WHITE	RADIUS	
		ITEM DESCRIPTION	EXTERNAL	INTERNAL
0,15	POM	RG-240H4545W76	R min 600	R min 460

Note: roll sections can be quickly assembled by simply sliding into the rail. Once assembled and the rail is located using clamps the sections can not move laterally.



ASSEMBLED GUIDES L = 3M (39 MODULES)

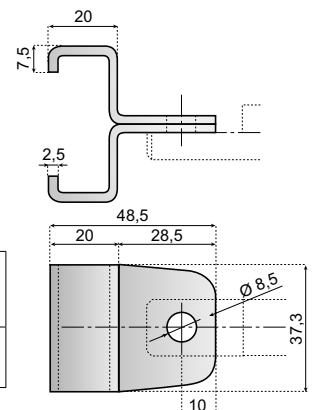
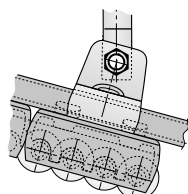
Kg/m	Pin Material	ROLLER WHITE	RADIUS	
		ITEM DESCRIPTION	EXTERNAL	INTERNAL
2,75	POM	RG-240H4545W3000S	R min 600	R min 460

Profile: stainless steel

The clamp is designed to fit into the slot in the back of a section as indicated in the sketch below.

BLOCKING:

Clamps fix metal profile and lateral straps, thus avoiding accidental sliding.



CLAMP

Material	ITEM DESCRIPTION	Quantity
SS AISI 304	CL-1540S	50

Chains & sprockets	Wear strips	Side guide brackets & accessories	Levelers	Engineering manual
Modular belts & sprockets	Chain & belt return systems	Frame & structure supports	Bearing supports	
Curves & tracks	Side guide solutions	Miscellaneous products	Equipment	

5 2 5 5 0 a

FLEXIBLE ROLLER MODULES FOR STRAIGHT AND CURVED SECTIONS

www.SystemPlastSmartGuide.com

INTERMEDIARY ROLLER MODULES FOR CURVED SECTIONS ONE ROLLER • TWO ROLLERS



Material: straps in reinforced polyamide, rollers in acetal resin, screws in stainless steel. Pins see the table.
Conductive version: straps in reinforced polyamide, rollers and pins in acetal resin.
Supply: supplied as single module L. 85 mm.
 Standard packaging: 40 modules.
Applications: designed for rugged boxes and containers.

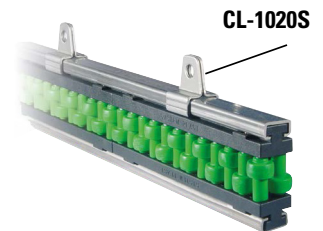


**COMPONENTS: N° 12 PINS •
N° 12 ROLLERS • N° 2 STRAPS**

Features:

- Low noise rollers.
- Excellent for accumulation areas.
- Long life and smooth operation.
- Easy and quick installation.

ONE ROLLER MODULE	Pin Material	ROLLER GREEN	Kg/m
		ITEM DESCRIPTION	
	POM	RGC30-165H65G85	0,14
	POM	RGC30-165H96G85	0,17

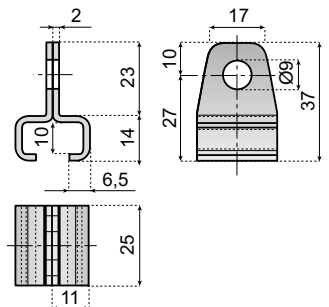


INTERMEDIARY ROLLER GUIDE WITH STEEL PROFILE FOR CURVED SECTIONS ONE ROLLER • TWO ROLLERS

Material: straps in reinforced polyamide, rollers in acetal resin, screws in stainless steel. Pins and metal profile see the table.
Supply: 3m steel profile with 35 roller modules.
 Standard packaging: 5 completely assembled profiles.
Applications: designed for rugged boxes and containers.

ASSEMBLED GUIDES L = 3M STAINLESS STEEL PROFILE

ONE ROLLER MODULE	Kg/m	L	Pin Material	ROLLER GREEN	
				PROFILE STAINLESS STEEL	PROFILE ZINC PLATED STEEL
ITEM DESCRIPTION					
	1,9	3 m	POM	RGC30-165H70G3000S	RGC30-165H70G3000G
	2,025	3m	POM	RGC30-165H96G3000S	RGC30-165H96G3000G



CLAMP

Material	ITEM DESCRIPTION
SS AISI 304	50 CL-1020S

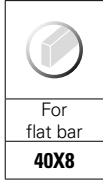
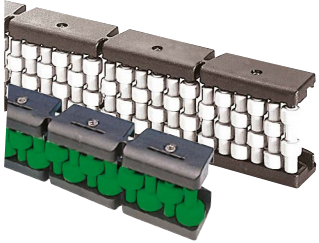
Chains & sprockets	Wear strips	Side guide brackets & accessories	Levelers	Engineering manual
Modular belts & sprockets	Chain & belt return systems	Frame & structure supports	Bearing supports	
Curves & tracks	Side guide solutions	Miscellaneous products	Equipment	

5 2 5 7 0 a

ROLLER GUIDES - FLEXIBLE MODULES

FOR STRAIGHT & CURVED GUIDES

www.SystemPlastSmartGuide.com



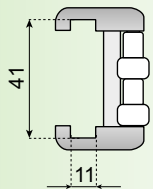
FLEXIBLE MODULES

Material: straps and spacers: reinforced polyamide, rollers and pins: POM-acetal, screws: Stainless steel.

Application: designed for rugged boxes, containers and shrink-wrapped products.

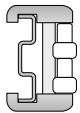
Some versions are also available for 40x10 profile
Go to: www.SystemPlastSmartGuide.com
page code:

5 2 5 9 0 a



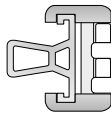
Roller guide modules can also be supplied in lengths of 3M assembled with Stainless Steel or Aluminum profiles.

Go to: www.SystemPlastSmartGuide.com
page code:



Stainless Steel

5 2 5 7 1 a



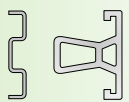
Aluminum

5 2 5 7 2 a

Loose Stainless Steel and Aluminum profiles are available.

Go to: www.SystemPlastSmartGuide.com
page code:

5 2 6 5 0 a



Information about this product is only available on our Smart Guide® website.

Pin Material	ITEM DESCRIPTION	LENGTH PROFILE mm	EXTERNAL	INTERNAL
POM	ROLLER GREEN RG-210H50-840M-G338	338	R min 300	R min 250
POM	ROLLER WHITE RG-105H49-840M-W348	348	R min 300	R min 250
	ROLLER GREEN RG-105H49-840M-G348			
POM	ROLLER WHITE RG-105H81-840M-W348	348	R min 300	R min 250
	ROLLER GREEN RG-105H81-840M-G348			
POM	ROLLER WHITE RG-86H49-840M-W348	348	R min 300	R min 250
	ROLLER GREEN RG-86H49-840M-G348			
POM	ROLLER WHITE RG-86H81-840M-W348	348	R min 300	R min 250
	ROLLER GREEN RG-86H81-840M-G348			

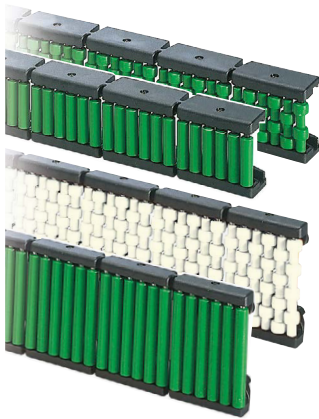
Chains & sprockets	Wear strips	Side guide brackets & accessories	Levelers	Engineering manual
Modular belts & sprockets	Chain & belt return systems	Frame & structure supports	Bearing supports	
Curves & tracks	Side guide solutions	Miscellaneous products	Equipment	



5 2 5 7 1 a

ASSEMBLED ROLLERGUIDES WITH STAINLESS STEEL PROFILE

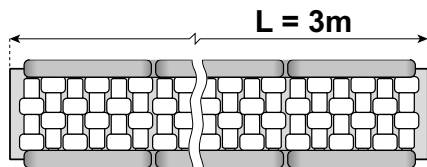
www.SystemPlastSmartGuide.com



ASSEMBLED ROLLERGUIDES

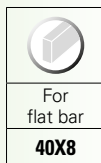
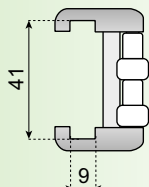
Material: straps and spacers: reinforced polyamide, rollers and pins: POM-acetal, screws: Stainless steel.

Application: designed for rugged boxes, containers and shrink-wrapped products.



For loose modules go to page code:

5 2 5 7 0 a



Roller guide modules can also be supplied in lengths of 3M assembled with Aluminum profiles.

Go to: www.SystemPlastSmartGuide.com page code:



Aluminum

5 2 5 7 2 a

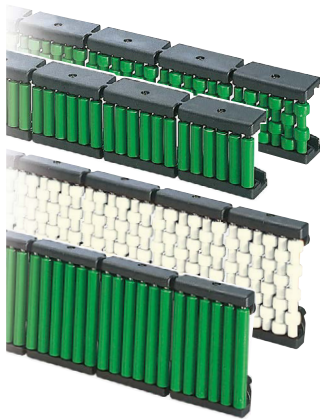
Pin Material	ITEM DESCRIPTION	LENGTH PROFILE mm	EXTERNAL INTERNAL	
POM	ROLLER GREEN RG-210H50-840M-G3000S	3000	R min 300	R min 250
POM	ROLLER WHITE RG-105H49-840M-W3000S	3000	R min 300	R min 250
	ROLLER GREEN RG-105H49-840M-G3000S			
POM	ROLLER WHITE RG-105H81-840M-W3000S	3000	R min 300	R min 250
	ROLLER GREEN RG-105H81-840M-G3000S			
POM	ROLLER WHITE RG-86H49-840M-W3000S	3000	R min 300	R min 250
	ROLLER GREEN RG-86H49-840M-G3000S			
POM	ROLLER WHITE RG-86H81-840M-W3000S	3000	R min 300	R min 250
	ROLLER GREEN RG-86H81-840M-G3000S			

Chains & sprockets	Wear strips	Side guide brackets & accessories	Levelers	Engineering manual
Modular belts & sprockets	Chain & belt return systems	Frame & structure supports	Bearing supports	
Curves & tracks	Side guide solutions	Miscellaneous products	Equipment	

5 2 5 7 2 a

ASSEMBLED ROLLER GUIDES WITH ALUMINIUM PROFILE

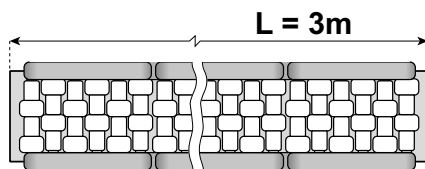
www.SystemPlastSmartGuide.com



ASSEMBLED ROLLERGUIDES

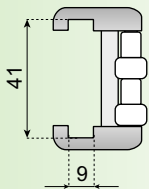
Material: straps and spacers: reinforced polyamide, rollers and pins: POM-acetal, screws: Stainless steel.

Application: designed for rugged boxes, containers and shrink-wrapped products.



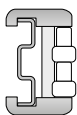
For loose modules go to page code:

5 2 5 7 0 a



Roller guide modules can also be supplied in lengths of 3M assembled with Stainless Steel profiles.

Go to: www.SystemPlastSmartGuide.com page code:



Stainless steel

5 2 5 7 1 a

Pin Material	ITEM DESCRIPTION	LENGTH PROFILE mm	EXTERNAL INTERNAL	
POM	ROLLER GREEN RG-210H50-840M-G3000A	3000	R min 300	R min 250
POM	ROLLER WHITE RG-105H49-840M-W3000A	3000	R min 300	R min 250
	ROLLER GREEN RG-105H49-840M-G3000A			
POM	ROLLER WHITE RG-105H81-840M-W3000A	3000	R min 300	R min 250
	ROLLER GREEN RG-105H81-840M-G3000A			
POM	ROLLER WHITE RG-86H49-840M-W3000A	3000	R min 300	R min 250
	ROLLER GREEN RG-86H49-840M-G3000A			
POM	ROLLER WHITE RG-86H81-840M-W3000A	3000	R min 300	R min 250
	ROLLER GREEN RG-86H81-840M-G3000A			

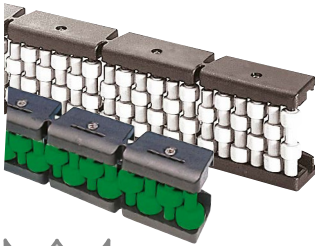
Chains & sprockets	Wear strips	Side guide brackets & accessories	Levelers	Engineering manual
Modular belts & sprockets	Chain & belt return systems	Frame & structure supports	Bearing supports	
Curves & tracks	Side guide solutions	Miscellaneous products	Equipment	



5 2 5 9 0 a

ROLLER GUIDES

www.SystemPlastSmartGuide.com

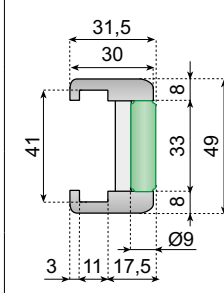
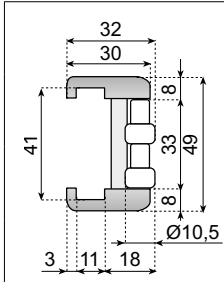


FLEXIBLE MODULES

Material: straps and spacers: reinforced polyamide, rollers and pins: POM-acetal, screws: Stainless steel.
Application: designed for rugged boxes, containers and shrink-wrapped products.

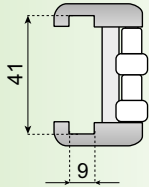


Pin Material	ITEM DESCRIPTION	LENGTH MODULE mm	R	
			EXTERNAL	INTERNAL
POM	ROLLER WHITE RG-105H49-1040M-W348	348	R min 300	R min 250
	ROLLER GREEN RG-105H49-1040M-G348			
POM	ROLLER WHITE RG-86H49-1040M-W348	348	R min 300	R min 250
	ROLLER GREEN RG-86H49-1040M-G348			

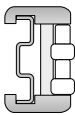


Some versions are also available for 40x8 profile. Go to: www.SystemPlastSmartGuide.com page:

5 2 5 7 0 a

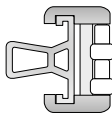


Roller guide modules can also be supplied in lengths of 3M assembled with Stainless Steel or Aluminum profiles. Go to: www.SystemPlastSmartGuide.com page code:



Stainless steel

5 2 5 7 1 a



Aluminum

5 2 5 7 2 a



3 0 1 1 0 a

Example: This roller guide is use with the 2120 LBP belt

2120 LBP

Loose Stainless Steel and Aluminum profiles are available. Go to: www.SystemPlastSmartGuide.com page code:

5 2 6 5 0 a



Information about this product is only available on our Smart Guide® website.

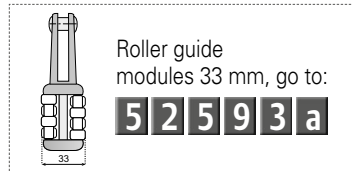
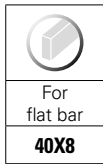
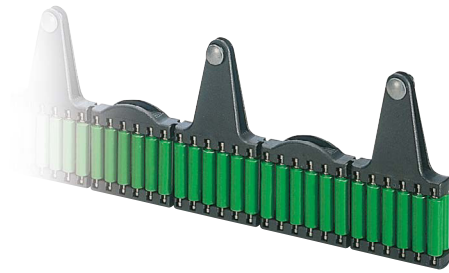
Chains & sprockets	Wear strips	Side guide brackets & accessories	Levelers	Engineering manual
Modular belts & sprockets	Chain & belt return systems	Frame & structure supports	Bearing supports	
Curves & tracks	Side guide solutions	Miscellaneous products	Equipment	

5 2 5 9 2 a

ROLLER GUIDES - FLEXIBLE MODULES

FLEXIBLE INTERMEDIARY ROLLER MODULES 19,5 mm

www.SystemPlastSmartGuide.com



FLEXIBLE MODULES

Material: straps and spacers: reinforced polyamide; rollers and pins: in acetal resin, threaded bush in nickel plated brass, screws in stainless steel.

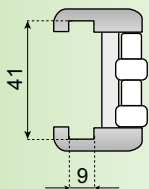
Application: designed for boxes and containers (glass and plastic bottles, tin cans, strong aluminium cans).

Features:

- Improve design
- Smaller rollers and pitch
- Improved performance
- Reduced dimensions
- Low noise rollers
- Excellent for accumulation areas
- Long life and smooth operation
- Easy and quick installation on flat metal profile 40X8

For lateral modules go to page code:

5 2 5 7 0 a

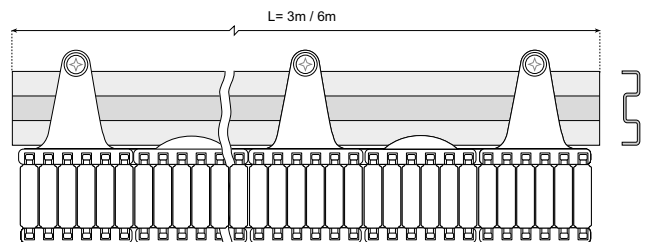


ITEM DESCRIPTION	LENGTH MODULE mm	EXTERNAL		INTERNAL		Pin Material
		EXTERNAL	INTERNAL	EXTERNAL	INTERNAL	
LOOSE MODULES, L= 290 MM						
 ROLLER WHITE RGC20-105H49-840M-W290	290	R min 200	R min 220	POM		
						ROLLER GREEN RGC20-105H49-840M-G290
 ROLLER WHITE RGC18-86H49-840M-W290	290	R min 300	R min 250	POM		
						ROLLER GREEN RGC18-86H49-840M-G290



SHOE

	ITEM DESCRIPTION	Material
	SHOE-49L26	PA



For M Profile stainless steel VG-S840..., go to page code: **5 2 5 6 0 a**

Chains & sprockets	Wear strips	Side guide brackets & accessories	Levelers	Engineering manual
Modular belts & sprockets	Chain & belt return systems	Frame & structure supports	Bearing supports	
Curves & tracks	Side guide solutions	Miscellaneous products	Equipment	



5 2 5 9 3 a

ROLLER GUIDES - FLEXIBLE MODULES

FLEXIBLE INTERMEDIARY ROLLER MODULES 33 mm

www.SystemPlastSmartGuide.com



Roller guide modules 19,5 mm, go to:

5 2 5 9 2 a

FLEXIBLE MODULES

Material: straps and spacers: reinforced polyamide; rollers and pins: in acetal resin, threaded bush in nickel plated brass, screws in stainless steel.

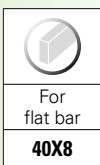
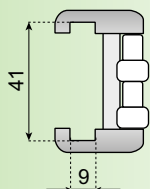
Application: designed for boxes and containers (glass and plastic bottles, tin cans, strong aluminium cans).

Features:

- Improve design
- Smaller rollers and pitch
- Improved performance
- Reduced dimensions
- Low noise rollers
- Excellent for accumulation areas
- Long life and smooth operation
- Easy and quick installation on flat metal profile 40X8

For lateral modules go to page code:

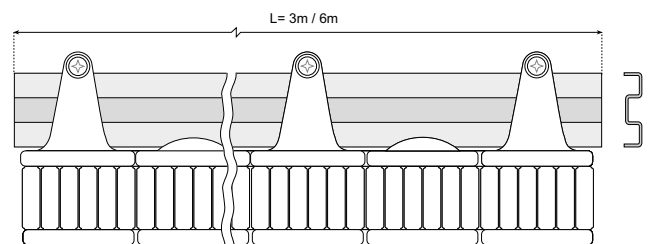
5 2 5 7 0 a



SHOE

	ITEM DESCRIPTION	Material
	SHOE-49L42	PA

ITEM DESCRIPTION	LENGTH MODULE mm	EXTERNAL INTERNAL		Pin Material
LOOSE MODULES, L= 290 mm				
 ROLLER WHITE RGC33-105H49-840M-W290	290	R min	R min	POM
		330	330	
 ROLLER GREEN RGC33-105H49-840M-G290	290	R min	R min	POM
		330	330	
 ROLLER WHITE RGC32-86H49-840M-W290	290	R min	R min	POM
		330	330	
 ROLLER GREEN RGC32-86H49-840M-G290	290	R min	R min	POM
		330	330	



For M Profile stainless steel VG-S840..., go to page code:

5 2 5 6 0 a

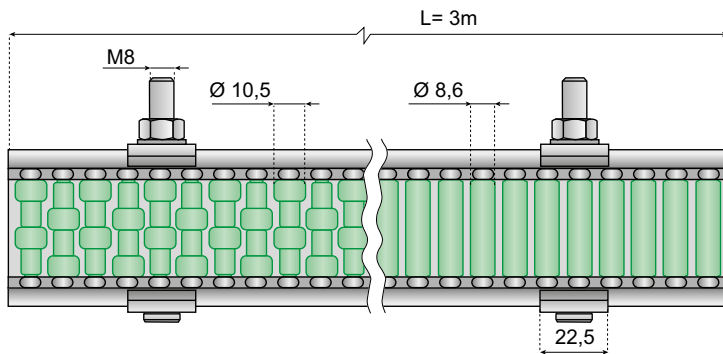
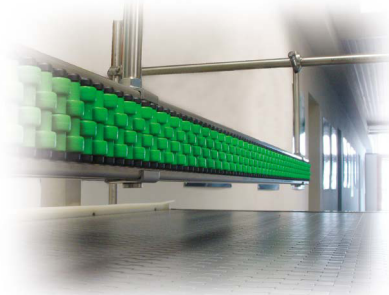
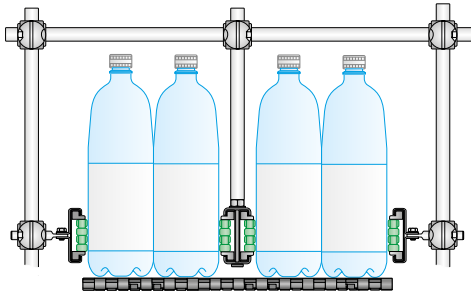
Chains & sprockets	Wear strips	Side guide brackets & accessories	Levelers	Engineering manual
Modular belts & sprockets	Chain & belt return systems	Frame & structure supports	Bearing supports	
Curves & tracks	Side guide solutions	Miscellaneous products	Equipment	

5 2 5 9 4 a

ASSEMBLED ROLLER GUIDES WITH STAINLESS STEEL PROFILE

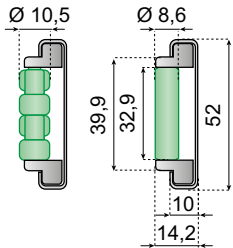
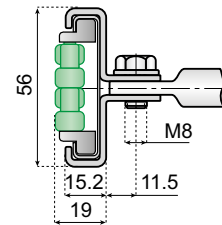
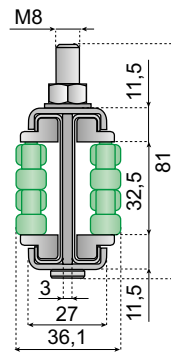
FOR CENTRAL AND LATERAL APPLICATIONS

www.SystemPlastSmartGuide.com



Application: central guide

Application: lateral guide



FLEXIBLE ROLLER GUIDES

Material: straps in reinforced polyamide. Rollers & Pins in acetal resin, profile in stainless steel.

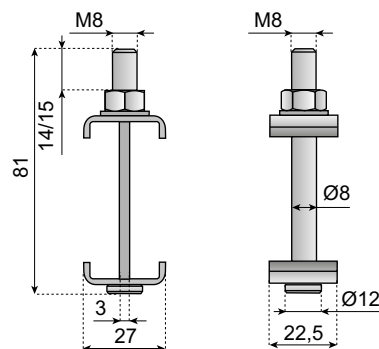
Note: 2 profiles are required to build 1 center guide. Connecting material (clamp CL-H5210C-S-M8) to be ordered separately.

Applications: designed for rugged boxes and multi-packs.



Bending radius:
min 750 mm

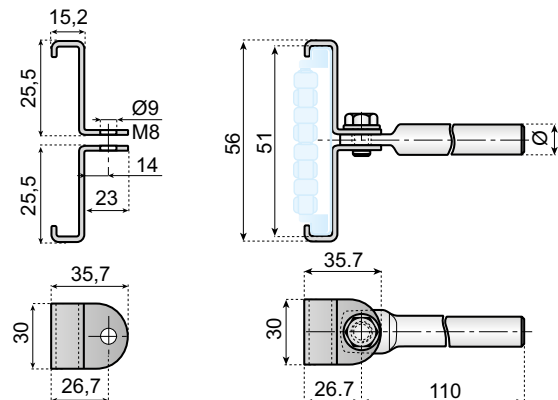
TYPE	Kg/m	ROLLER WHITE	ROLLER GREEN
		ITEM DESCRIPTION	
	2,05	RG-105H52-5210M-W3000S	RG-105H52-5210M-G3000S
		RG-86H52-5210M-W3000S	RG-86H52-5210M-G3000S



CLAMP FOR CENTER GUIDES

Material: Stainless Steel (AISI 304)

ITEM DESCRIPTION
CL-H5210C-S-M8



CLAMP WITH SWIVEL ROD FOR LATERAL GUIDES

Material: Stainless Steel (AISI 304)

WITHOUT ROD	ROD Ø 12
ITEM DESCRIPTION	
CL-H5210-S	CL-H5210-S12100M

Chains & sprockets	Wear strips	Side guide brackets & accessories	Levelers	Engineering manual
Modular belts & sprockets	Chain & belt return systems	Frame & structure supports	Bearing supports	
Curves & tracks	Side guide solutions	Miscellaneous products	Equipment	

5 2 6 1 0 a

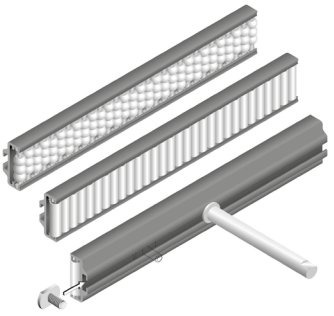
ROLLER GUIDES - FLEXIBLE MODULES

FOR STRAIGHT & CURVED GUIDES

www.SystemPlastSmartGuide.com



Patent N°.
6, 516, 933
7, 147, 098, B2



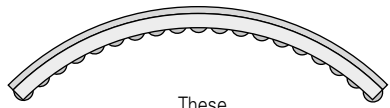
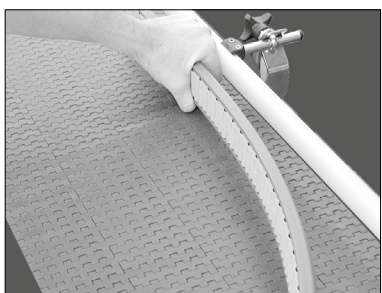
FLEXIBLE SPEEDRAIL™

Material: profile: PVC, rollers: in acetal resin, screws: stainless steel.

Operating temperature range: -10°F to + 180°F

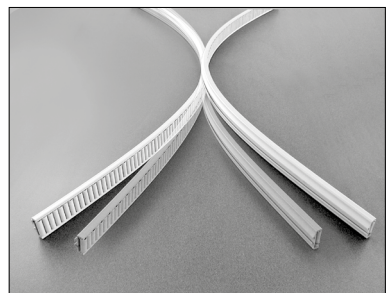
Features:

- Bend by hand to create corners or S-curves easily.
- Can be twisted to help invert containers.
- Saves time and labor associated with machine bending.
- Compatible with other Valu Guide components.
- Available with beads or roller.



These roller guides can be curved.
Min. radius in either direction: 460 mm

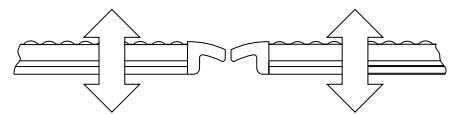
.75M



FLEXIBLE SPEEDRAIL™	ITEM DESCRIPTION	LENGTH	STANDARD PACKAGING:	FOR ALUMINIUM VERSION GO TO:
	VG-687FLEX-1.4-3M	3 m	2 pcs. (6 screws M8, Item description: VG-1568M-02, included with each section)	5 2 6 1 1 a
	VG-688FLEX-1.4-3M	3 m	2 pcs. (6 screws M8, Item description: VG-1568M-02, included with each section)	5 2 6 1 3 a

Side plow for entry, go to: **5 2 6 1 1 a**

Side plow for adjustment, go to: **5 2 6 1 1 a**



687 SP connecting pins, go to: **5 2 6 1 1 a**

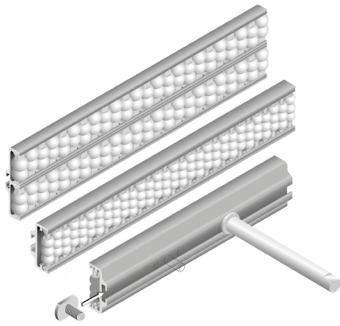
Ø 3 mm 25

VG-1568M-02 T-head screws M8, go to: **5 2 6 1 1 a**

Chains & sprockets	Wear strips	Side guide brackets & accessories	Levelers	Engineering manual
Modular belts & sprockets	Chain & belt return systems	Frame & structure supports	Bearing supports	
Curves & tracks	Side guide solutions	Miscellaneous products	Equipment	

5 2 6 1 1 a

SPEEDRAIL™ ROLLER GUIDES - LATERAL - BEADS



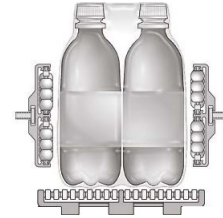
ALUMINIUM SPEEDRAIL™

Material:

profile: anodized aluminum, rollers: acetal, screws: stainless steel

Features:

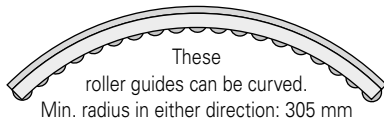
- Easy mounting
- Great for polywrapped containers or PET
- Can be curved on site
- Can be cut to desired length without disassembly
- FDA approved engineered polymer



Also available with flexible PVC go to:

5 2 6 1 0 a

Patent N°. 6, 516, 933
6, 991, 086, B2



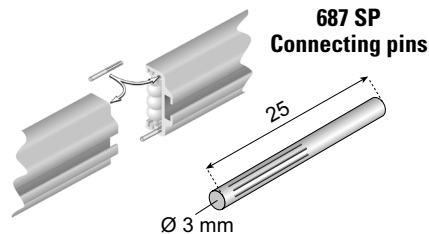
ALUMINIUM ROLLERGUIDE SPEEDRAIL™		
	ITEM DESCRIPTION	VG-686A-1.25-3M
	LENGTH	3 m
	STANDARD PACKAGING:	2 pcs. (6 screws M8, Item description: VG-1568M-02, included with each section)
	ITEM DESCRIPTION	VG-687H-1.4-3M
	LENGTH	3 m
	STANDARD PACKAGING:	2 pcs. (6 screws M8, Item description: VG-1568M-02, included with each section)

ALUMINIUM ROLLERGUIDE SPEEDRAIL™		
	ITEM DESCRIPTION	VG-687H-3.3-3M
	LENGTH	3 m
	STANDARD PACKAGING:	2 pcs. (6 screws M8, Item description: VG-1568M-02, included with each section)

SIDE PLOW FOR ENTRY	
	MATERIAL: Molded POM-acetal SCREW: Stainless steel FEATURES: Optimum guiding of packs
	ITEM DESCRIPTION:
	SHOE-48L42

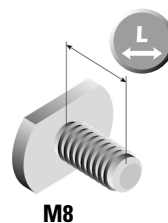
SIDE PLOW FOR ENTRY	
	ITEM DESCRIPTION:
	SHOE-94L42

SIDE PLOW FOR ADJUSTMENT	
	ITEM DESCRIPTION:
	SHOE-48L25



MATERIAL	ITEM DESCRIPTION
SS	VG-687SP

1568M - T-head screws M8

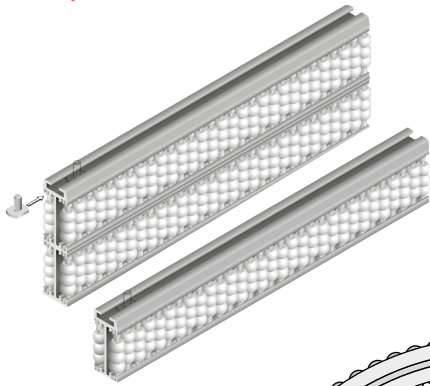


MATERIAL	ITEM DESCRIPTION		
SS	VG-1568M-01	16	10
	VG-1568M-02	19	
	VG-1568M-04	32	

Chains & sprockets	Wear strips	Side guide brackets & accessories	Levelers	Engineering manual
Modular belts & sprockets	Chain & belt return systems	Frame & structure supports	Bearing supports	
Curves & tracks	Side guide solutions	Miscellaneous products	Equipment	

5 2 6 1 2 a

SPEEDRAIL™ ROLLER GUIDES - CENTER - BEADS



ALUMINIUM SPEEDRAIL™

Material:

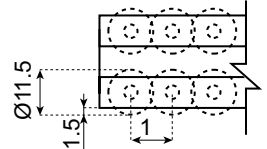
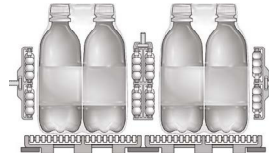
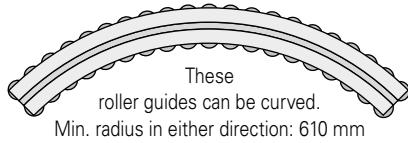
profile: anodized aluminum, rollers: acetal, screws: stainless steel

Features:

- Easy mounting
- Great for polywrapped containers or PET
- Can be curved on site
- Can be cut to desired length without disassembly
- FDA approved engineered polymer



Patent N°:
6, 516, 933
6, 991, 086, B2

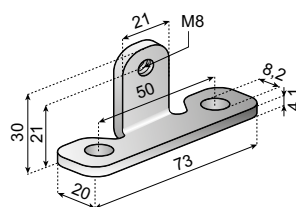


ALUMINIUM ROLLERGUIDE SPEEDRAIL™		
	ITEM DESCRIPTION	VG-687-1.4-3M
	LENGTH	3m
	STANDARD PACKAGING:	2 pcs. (6 screws M8, Item description: VG-1568M-02, included with each section)

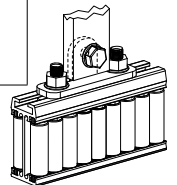
ALUMINIUM ROLLERGUIDE SPEEDRAIL™		
	ITEM DESCRIPTION	VG-687-3.3-3M
	LENGTH	3m
	STANDARD PACKAGING:	2 pcs. (6 screws M8, Item description: VG-1568M-02, included with each section)

NOSE PLOW FOR CENTER GUIDES
<p>MATERIAL: NOLU®-S PE SCREW: STAINLESS STEEL</p> <p>ITEM DESCRIPTION: VG-687NP-1.4M</p>

NOSE PLOW FOR CENTER GUIDES
<p>EXAMPLE:</p> <p>Item description VG-687NP-1.4M</p> <p>Item description VG-687NP-1.4M</p>
<p>HEIGHT: 101mm: TO USE 2 UNITS</p> <p>ITEM DESCRIPTION: VG-687NP-1.4M</p>



687 LDB
Lane divider bracket



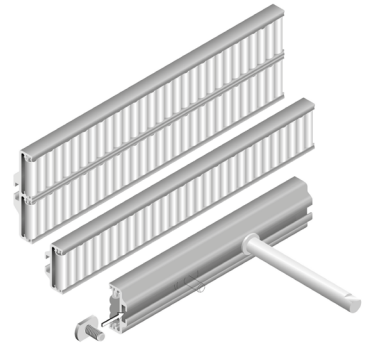
MATERIAL	ITEM DESCRIPTION
n°2	VG-687LDB-M8

Chains & sprockets	Wear strips	Side guide brackets & accessories	Levelers	Engineering manual
Modular belts & sprockets	Chain & belt return systems	Frame & structure supports	Bearing supports	
Curves & tracks	Side guide solutions	Miscellaneous products	Equipment	

5 2 6 1 3 a

SPEEDRAIL™ ROLLER GUIDES - LATERAL - LONG ROLLERS

www.SystemPlastSmartGuide.com



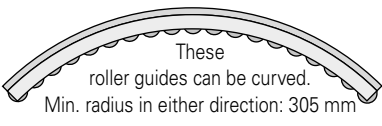
ALUMINIUM SPEEDRAIL™

Material:
profile: anodized aluminum, rollers: acetal, screws: stainless steel

- Features:**
- Easy mounting
 - Great for polywrapped containers or PET
 - Can be curved on site
 - Can be cut to desired length without disassembly
 - FDA approved engineered polymer



Patent N°. 6, 516, 933
6, 991, 086, B2



ALUMINIUM ROLLERGUIDE SPEEDRAIL™		
	ITEM DESCRIPTION	VG-688H-1.4-3M
	LENGTH	3m
	STANDARD PACKAGING:	2 pcs. (6 screws M8, Item description: VG-1568M-02, included with each section)

ALUMINIUM ROLLERGUIDE SPEEDRAIL™		
	ITEM DESCRIPTION	VG-688H-3.3-3M
	LENGTH	3m
	STANDARD PACKAGING:	2 pcs. (6 screws M8, Item description: VG-1568M-02, included with each section)

Also available with flexible PVC go to:

5 2 6 1 0 a

Side plow for entry, go to: **5 2 6 1 1 a**

Side plow for adjustment, go to: **5 2 6 1 1 a**

Side plow for entry, go to: **5 2 6 1 1 a**

687 SP connecting pins, go to: **5 2 6 1 1 a**

1568M - T-head screws M8, go to: **5 2 6 1 1 a**

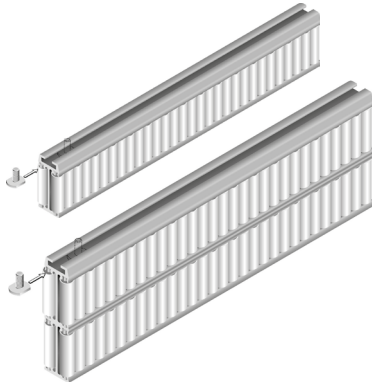
1568M - T-head screws M8, go to: **5 2 6 1 1 a**

Chains & sprockets	Wear strips	Side guide brackets & accessories	Levelers	Engineering manual
Modular belts & sprockets	Chain & belt return systems	Frame & structure supports	Bearing supports	
Curves & tracks	Side guide solutions	Miscellaneous products	Equipment	

5 2 6 1 4 a

SPEEDRAIL™ ROLLER GUIDES - CENTER - LONG ROLLERS

www.SystemPlastSmartGuide.com



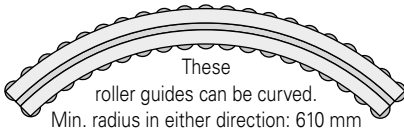
ALUMINIUM SPEEDRAIL™

Material:
profile: anodized aluminum, rollers: acetal, screws: stainless steel

- Features:**
- Easy mounting
 - Great for polywrapped containers or PET
 - Can be curved on site
 - Can be cut to desired length without disassembly
 - FDA approved engineered polymer



Patent N°. 6, 516, 933
6, 991, 086, B2



ALUMINIUM ROLLERGUIDE SPEEDRAIL™		
	ITEM DESCRIPTION	VG-688-1.4-3M
	LENGTH	3m
	STANDARD PACKAGING:	2 pcs. (6 screws M8, Item description: VG-1568M-02, included with each section)

ALUMINIUM ROLLERGUIDE SPEEDRAIL™		
	ITEM DESCRIPTION	VG-688-3.3-3M
	LENGTH	3m
	STANDARD PACKAGING:	2 pcs. (6 screws M8, Item description: VG-1568M-02, included with each section)

Nose plow, go to:
5 2 6 1 2 a

Nose plow, for center guides, go to:
5 2 6 1 2 a

687 SP connecting pins, go to:
5 2 6 1 1 a

Ø 3 mm

687 LDB Lane divider bracket, go to:
5 2 6 1 2 a

Chains & sprockets	Wear strips	Side guide brackets & accessories	Levelers	Engineering manual
Modular belts & sprockets	Chain & belt return systems	Frame & structure supports	Bearing supports	
Curves & tracks	Side guide solutions	Miscellaneous products	Equipment	



5 2 6 5 0 a

METAL PROFILES FOR ROLLER GUIDES

www.SystemPlastSmartGuide.com

	Al-a		
	ITEM DESCRIPTION		
	VG-A840M-10	3 m	30 m
	VG-A840M-20	6 m	30 m

For stainless steel material go to:

5 0 5 6 0 a