

Chains & sprockets	Wear strips	Side guide brackets & accessories	Levelers	Engineering manual
Modular belts & sprockets	Chain & belt return systems	Frame & structure supports	<b>Bearing supports</b>	
Curves & tracks	Side guide solutions	Miscellaneous products	Equipment	

## 5 6 0 1 0 a

## INDEX MOUNTED BEARINGS

[www.SystemPlastSmartGuide.com](http://www.SystemPlastSmartGuide.com)

TYPE		SHAFT DIAMETER	GRUB SCREWS	ECCENTRIC RING	SKWEZLOC® SHAFT LOCK	SKWEZLOC® PN GOLD™ SHAFT LOCK
	UCFL UCFH	Ø 12 - Ø 19	<b>5 6 0 3 0 a</b>	-	-	-
		Ø 20 - Ø 40	<b>5 6 0 2 0 a</b>	<b>5 6 0 4 0 a</b>	-	-
<b>New</b>	<b>SEALMASTER</b> TRIATHLON® BEARING	UCFH	Ø 30 - Ø 40	-	-	<b>SEALMASTER</b> <b>5 6 0 4 2 a</b>
<b>New</b>	<b>SEALMASTER</b> PN GOLD™ BEARING	CRFS-PN	Ø 30 - Ø 40	-	-	<b>SEALMASTER</b> <b>5 6 0 4 4 a</b>
	CL	Ø 30 - Ø 40	<b>5 6 0 9 0 a</b>	<b>5 6 0 9 0 a</b>	-	-
	UCF UCFO	Ø 12 - Ø 19	<b>5 6 0 6 0 a</b>	-	-	-
		Ø 20 - Ø 40	<b>5 6 0 5 0 a</b>	<b>5 6 0 7 0 a</b>	-	-
<b>New</b>	<b>SEALMASTER</b> TRIATHLON® BEARING	UCFO	Ø 30 - Ø 40	-	-	<b>SEALMASTER</b> <b>5 6 0 7 2 a</b>
<b>New</b>	<b>SEALMASTER</b> PN GOLD™ BEARING	CRFS-PN	Ø 30 - Ø 40	-	-	<b>SEALMASTER</b> <b>5 6 0 7 4 a</b>
	CS	Ø 30 - Ø 40	<b>5 6 1 0 0 a</b>	<b>5 6 1 0 0 a</b>	-	-

OTHER VERSIONS: **5 6 0 1 0 b**


















Information about this product is only available on our Smart Guide® website.

Chains & sprockets	Wear strips	Side guide brackets & accessories	Levelers	Engineering manual
Modular belts & sprockets	Chain & belt return systems	Frame & structure supports	<b>Bearing supports</b>	
Curves & tracks	Side guide solutions	Miscellaneous products	Equipment	

## 5 6 0 1 0 b

## INDEX MOUNTED BEARINGS

[www.SystemPlastSmartGuide.com](http://www.SystemPlastSmartGuide.com)

TYPE	SHAFT DIAMETER	GRUB SCREWS	ECCENTRIC RING	SKWEZLOC® SHAFT LOCK	SKWEZLOC® PN GOLD™ SHAFT LOCK
	UCP Ø 20 - Ø 40	5 6 1 1 0 a	5 6 1 1 0 a	-	-
	UCPA Ø 20 - Ø 30	5 6 1 2 0 a 	5 6 1 2 0 a 	-	-
	SQL Ø 12 - Ø 20	5 6 1 3 0 a	5 6 1 3 0 a	-	-
	UCFB Ø 20 - Ø 30	5 6 1 4 0 a	5 6 1 4 0 a	-	-
	UCHE Ø 20 - Ø 35	5 6 1 5 0 a 	5 6 1 5 0 a 	-	-
	UCT Ø 20 - Ø 35	5 6 1 6 0 a 	5 6 1 6 0 a 	-	-
	UCTT Ø 20 - Ø 35	5 6 1 7 0 a 	5 6 1 7 0 a 	-	-

### OTHER VERSIONS: 5 6 0 1 0 a



  
Information about this product is only available on our Smart Guide® website.

Chains & sprockets	Wear strips	Side guide brackets & accessories	Levelers	Engineering manual
Modular belts & sprockets	Chain & belt return systems	Frame & structure supports	<b>Bearing supports</b>	
Curves & tracks	Side guide solutions	Miscellaneous products	Equipment	



## 56020a

## FLANGED HOUSINGS - 2 HOLE VERSIONS

GRUB SCREW VERSION - FOR SHAFT DIAMETERS: 20-40mm

www.SystemPlastSmartGuide.com

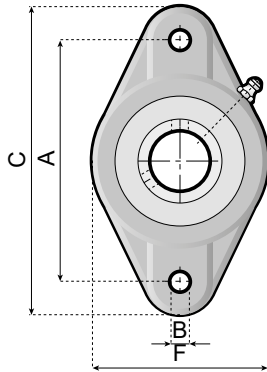
For shaft lock with eccentric ring, go to: **56040a**

Also available for 12-17 mm shaft diameters. Go to: **56030a**



For new Sealmaster® Skwezloc® bearings, go to: **56042a**

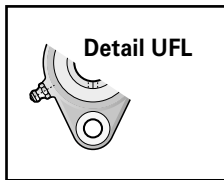
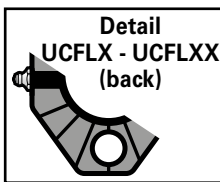
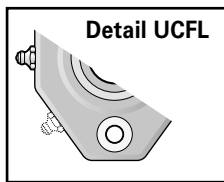
For new Sealmaster® Skwezloc® PN GOLD™ bearings, go to: **56044a**



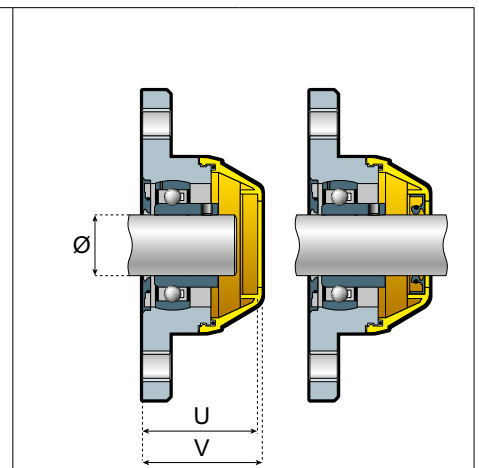
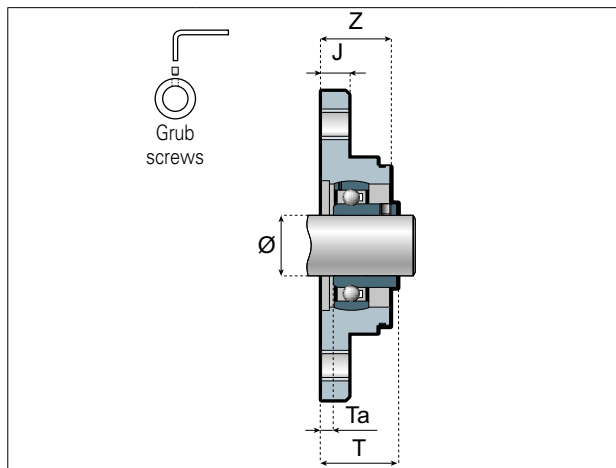
### TECHNICAL INFORMATION

- Types UFL and UCFH have solid polyamide housings for ultimate strength, no trap for contamination (UCFL types have a ribbed back).
- Good resistance against many corrosive chemicals such as water, oils, greases, petrol, milk, wine, alcoholic beverages.
- Available in chrome steel and stainless steel (suitable for food, beverage and pharmaceutical industry).
- Housings also available as complete sealed units for improved protection (wash down resistant version).
- Max. mis-alignment between shaft and housing: 2.5°

A	B	WEIGHT KG (IND.)	VERSION UFL AND UCFH			VERSION UCFLX AND UCFLXX		
			C	F	J	C	F	J
76,5	11	0,25	100	56	12	-	-	-
90	11	0,3	114	70	10	120	85	19
99	11	0,4	130	70	17	130	90	19
117	11	0,5	148	84	14,5	146	98	25
130	14	0,7	163	90	18	159	105	25
144	14	0,8	175	100	18	-	-	-



### VERSION WITH GRUB SCREWS



### COMPONENTS

Housing in reinforced polyamide. Seals in NBR rubber. High precision self-aligning ball bearings in chrome- or stainless steel, pre-lubricated. Grease nipples and spacers from nickel plated brass. Washers (where used) in AISI 304 (DIN 1.4301). Safety cap in polypropylene. (When fitted with a stainless steel bearing, the grease nipple is in stainless steel).

SHAFT Ø	A	T	TA	U	V	Z	STANDARD VERSION		WASH DOWN RESISTANT VERSION			
							BEARINGS		BEARINGS CHROME STEEL			
							CHROME STEEL	STAINLESS STEEL	CLOSED CAP	OPEN CAP		
							ITEM DESCRIPTION				ITEM DESCRIPTION	
20	76,5	33,5	8,5	47	49	26	UFLX204-20M	UFLX204-20M-SS	50008	50008APE	UFLX204-20M-CEC	UFLX204-20M-OEC
20		34	8,5	48	50	26	UCFH204-20M	UCFH204-20M-SS	50007	50007APE	UCFH204-20M-CEC	UCFH204-20M-OEC
25	90	35	7,5	52	54	25	UCFLX205-25M	UCFLX205-25M-SS	50003A	50003AAPE	UCFLX205-25M-CEC	UCFLX205-25M-OEC
30		35	5	52	54	25	UCFLXX206-30M	UCFLXX206-30M-SS	50003A	50003AAPE	UCFLXX206-30M-CEC	UCFLXX206-30M-OEC
25	99	37	9,5	52	54	29	UCFH205-25M	UCFH205-25M-SS	50011	50011APE	UCFH205-25M-CEC	UCFH205-25M-OEC
30		35	5	52	54	25	UCFLX206-30M	UCFLX206-30M-SS	50003A	50003AAPE	UCFLX206-30M-CEC	UCFLX206-30M-OEC
30		37	6,5	51	53	29	*UCFH206-30M	UCFH206-30M-SS	50001	50001APE	*UCFH206-30M-CEC	*UCFH206-30M-OEC
35	117	43	10,5	67	69	35	UCFLX207-35M	UCFLX207-35M-SS	50002	50002APE	UCFLX207-35M-CEC	UCFLX207-35M-OEC
40		44	10	67	69	35	*UCFLXX208-40M	UCFLXX208-40M-SS	50002	50002APE	*UCFLXX208-40M-CEC	*UCFLXX208-40M-OEC
35		42	9,5	64	66	33	UCFH207-35M	UCFH207-35M-SS	50004	50004APE	UCFH207-35M-CEC	UCFH207-35M-OEC
40		45	11	67	69	35	UCFLX208-40M	UCFLX208-40M-SS	50002	50002APE	UCFLX208-40M-CEC	UCFLX208-40M-OEC
40	144	43	9	63	65	35	UCFH208-40M	UCFH208-40M-SS	50002	50002APE	UCFH208-40M-CEC	UCFH208-40M-OEC

\* Also available SealMaster® Triathlon® Bearings version, go to: **56042a**

Chains & sprockets	Wear strips	Side guide brackets & accessories	Levelers	Engineering manual
Modular belts & sprockets	Chain & belt return systems	Frame & structure supports	<b>Bearing supports</b>	
Curves & tracks	Side guide solutions	Miscellaneous products	Equipment	



## 56030a

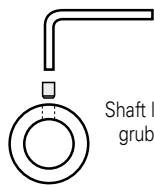
## FLANGED BEARING 2 HOLE VERSION

FOR SHAFT DIAMETERS: 12-17mm

[www.SystemPlastSmartGuide.com](http://www.SystemPlastSmartGuide.com)

Also available for 20-40 mm shaft diameters. Go to:

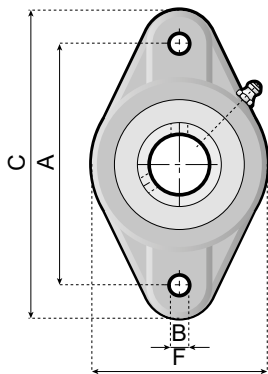
## 56020a



Shaft lock with grub screw

### TECHNICAL INFORMATION

- Types UFL have solid polyamide housings for ultimate strength, no trap for contamination.
- Good resistance against many corrosive chemicals such as water, oils, greases, petrol, milk, wine, alcoholic beverages.
- Housings also available as complete sealed units for improved protection (wash down resistant version).
- Max. mis-alignment between shaft and housing: 2.5°

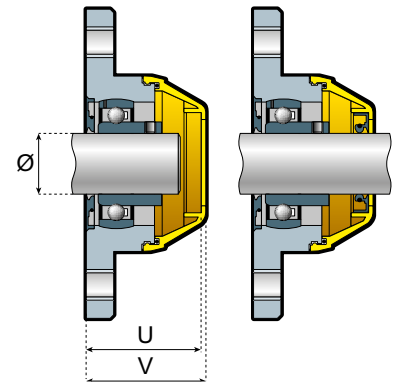
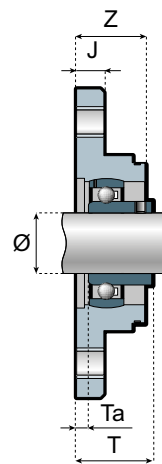


A	B	C	F	J	WEIGHT KG(IND.)
76,5	11	100	56	12	0,18

### VERSION WITH GRUB SCREWS



Grub Screws



### COMPONENTS

Housing in reinforced polyamide. Seals in NBR rubber. High precision self-aligning ball bearings in chrome- or stainless steel, pre-lubricated. Grease nipples and spacers from nickel plated brass. Washers (where used) in AISI 304 (DIN 1.4301). Safety cap in polypropylene.

(When fitted with a stainless steel bearing, the grease nipple is in stainless steel).

SHAFT Ø	A	T	Ta	U	V	Z	STANDARD VERSIONS		WASH DOWN RESISTANT VERSION		
							BEARINGS CHROME STEEL	SEPARATE CLOSED SAFETY CAP PART NO.	SEPARATE OPEN SAFETY CAP PART NO.	BEARINGS CHROME STEEL	CLOSED CAP
12	76,5	32,5	10,5	47	49	26	ITEM DESCRIPTION	50008	50008APE	ITEM DESCRIPTION	
15							UCFH201-12M			UCFH201-12M-CEC	UCFH201-12M-OEC
16							UCFH202-15M			UCFH202-15M-CEC	UCFH202-15M-OEC
17							UCFH016-16M			UCFH016-16M-CEC	UCFH016-16M-OEC
							UCFH203-17M			UCFH203-17M-CEC	UCFH203-17M-OEC

Chains & sprockets	Wear strips	Side guide brackets & accessories	Levelers	Engineering manual
Modular belts & sprockets	Chain & belt return systems	Frame & structure supports	<b>Bearing supports</b>	
Curves & tracks	Side guide solutions	Miscellaneous products	Equipment	

## 5 6 0 4 0 a FLANGED HOUSINGS - 2 HOLE VERSIONS - ECCENTRIC LOCK

www.SystemPlastSmartGuide.com

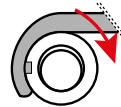
FOR SHAFT DIAMETERS: 20-40mm

For shaft lock with grub screw, go to: **5 6 0 2 0 a**

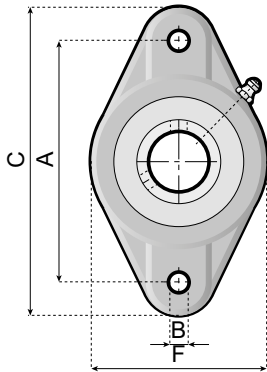
Also available for 12-17 mm shaft diameters. Go to: **5 6 0 3 0 a**

For new Sealmaster® Skwezloc® bearings, go to: **5 6 0 4 2 a**

For new Sealmaster® Skwezloc® PN GOLD™ bearings, go to: **5 6 0 4 4 a**



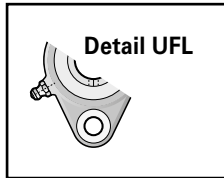
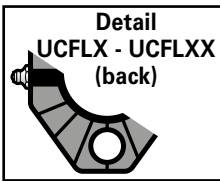
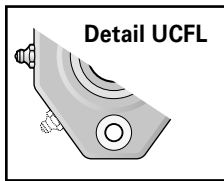
Shaft lock with eccentric ring



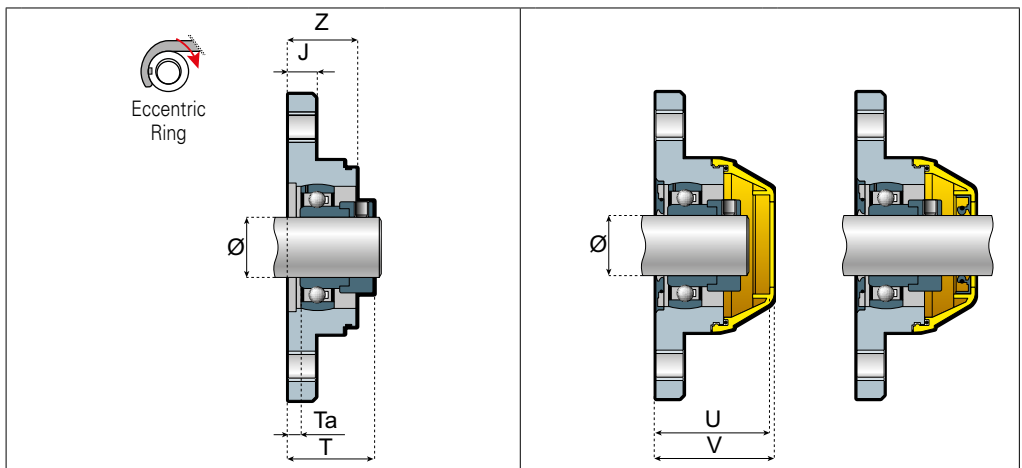
### TECHNICAL INFORMATION

- Types UFL and UCFLH have solid polyamide housings for ultimate strength, no trap for contamination (UCFL types have a ribbed back).
- Good resistance against many corrosive chemicals such as water, oils, greases, petrol, milk, wine, alcoholic beverages.
- Available in chrome steel and stainless steel (suitable for food, beverage and pharmaceutical industry).
- Housings also available as complete sealed units for improved protection (wash down resistant version).
- Max. mis-alignment between shaft and housing: 2.5°

A	B	WEIGHT KG (IND.)	VERSION UFL AND UCFLH			VERSION UCFLX AND UCFLXX		
			C	F	J	C	F	J
76,5	11	0,25	100	56	12	-	-	-
90	11	0,3	114	70	10	120	85	19
99	11	0,4	130	70	17	130	90	19
117	11	0,5	148	84	14,5	146	98	25
130	14	0,7	163	90	18	159	105	25
144	14	0,8	175	100	18	-	-	-



### VERSION WITH ECCENTRIC RING



#### STANDARD VERSION

#### WASH DOWN RESISTANT VERSION

BEARINGS CHROME STEEL	SEPARATE CLOSED SAFETY CAP PART NO.	SEPARATE OPEN SAFETY CAP PART NO.	BEARINGS CHROME STEEL	
			CLOSED CAP	OPEN CAP
ITEM DESCRIPTION				

### COMPONENTS

Housing in reinforced polyamide. Seals in NBR rubber. High precision self-aligning ball bearings in chrome- or stainless steel, pre-lubricated. Grease nipples and spacers from nickel plated brass. Washers (where used) in AISI 304 (DIN 1.4301).

Safety cap in polypropylene. (When fitted with a stainless steel bearing, the grease nipple is in stainless steel).

SHAFT Ø	A	T	Ta	U	V	Z	ITEM DESCRIPTION	SEPARATE CLOSED SAFETY CAP PART NO.	SEPARATE OPEN SAFETY CAP PART NO.	ITEM DESCRIPTION	ITEM DESCRIPTION
20	76,5	39	8,5	47	49	26	UFLX204-20ME	50008	50008APE	UFLX204-20ME-CEC	UFLX204-20ME-OEC
20		39,4	8,5	48	50	26	UCFH204-20ME	50007	50007APE	UCFH204-20ME-CEC	UCFH204-20ME-OEC
25	90	38,4	7,5	52	54	25	UCFLX205-25ME	50003A	50003AAPE	UCFLX205-25ME-CEC	UCFLX205-25ME-OEC
30		40,7	5	52	54	25	UCFLX206-30ME	50003A	50003AAPE	UCFLX206-30ME-CEC	UCFLX206-30ME-OEC
25	99	40,4	9,5	52	54	29	UCFH205-25ME	50011	50011APE	UCFH205-25ME-CEC	UCFH205-25ME-OEC
30		40,7	5	52	54	25	UCFLX206-30ME	50003A	50003AAPE	UCFLX206-30ME-CEC	UCFLX206-30ME-OEC
30		42,2	6,5	51	53	29	UCFH206-30ME	50001	50001APE	UCFH206-30ME-CEC	UCFH206-30ME-OEC
35	117	49,4	10,5	67	69	35	UCFLX207-35ME	50002	50002APE	UCFLX207-35ME-CEC	UCFLX207-35ME-OEC
40		53,7	10	67	69	35	UCFLX208-40ME	50002	50002APE	UCFLX208-40ME-CEC	UCFLX208-40ME-OEC
35		48,4	9,5	64	66	33	UCFH207-35ME	50004	50004APE	UCFH207-35ME-CEC	UCFH207-35ME-OEC
40		54,7	11	67	69	35	UCFLX208-40ME	50002	50002APE	UCFLX208-40ME-CEC	UCFLX208-40ME-OEC
40	144	52,7	9	63	65	35	UCFH208-40ME	50002	50002APE	UCFH208-40ME-CEC	UCFH208-40ME-OEC

\* Also available SealMaster® Triathlon® Bearings version, go to: **5 6 0 4 2 a**

Chains & sprockets	Wear strips	Side guide brackets & accessories	Levelers	Engineering manual
Modular belts & sprockets	Chain & belt return systems	Frame & structure supports	<b>Bearing supports</b>	
Curves & tracks	Side guide solutions	Miscellaneous products	Equipment	

## 56042a

### TRIATHLON® WASHDOWN BEARING - 2 HOLE VERSIONS

HIGH PERFORMANCE PN GOLD™ MOUNTED BALL BEARING

[www.SystemPlastSmartGuide.com](http://www.SystemPlastSmartGuide.com)



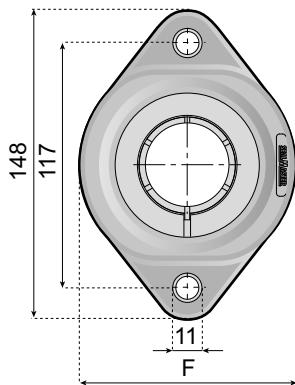
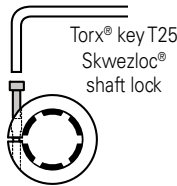
For shaft lock with grub screw, go to:  
**56020a**

For shaft lock with eccentric ring, go to:  
**56040a**

For new Sealmaster® Skwezloc® PN GOLD™ bearings, go to:  
**56044a**

# New

## SEALMASTER®



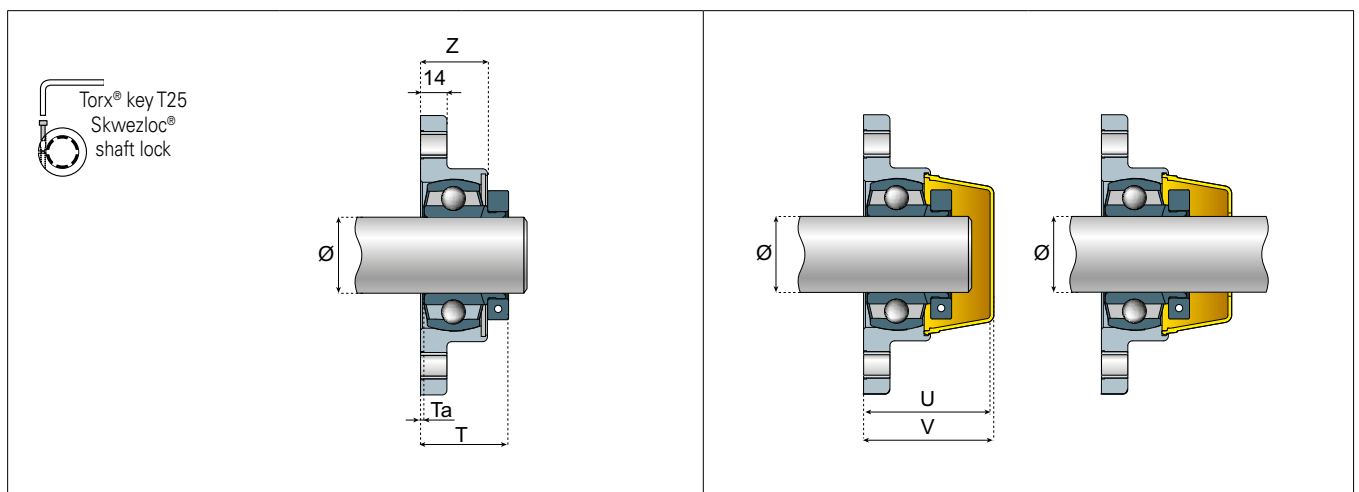
### FEATURES AND BENEFITS

- High Phosphorous Nickel Plated Bearing Inner & Outer Ring for exceptional corrosion resistance.
- High Performance Triple Lip Seal to minimize contamination ingress and retain lubrication.
- Locking collar centers the shaft in the bearing bore and secures the shaft with near perfect concentricity.
- Reduced Bolt Hole Spacing to replace OEM compact conveyor designs with 30mm and 40mm shaft diameters.
- Durable polyamide housing with corrosion resistant bolt hole spacers.
- Securely fastened snap in end cap to further protect bearing with drain hole to prevent liquid build up inside.
- Lubed for Life design with Tapered Land Outer ring race profile to direct lubrication into the ball path.
- Max. mis-alignment between shaft and housing: 2°

### COMPONENTS

Housing in reinforced polyamide light grey. High precision self-aligning ball bearings in hardened corrosion resistant steel. Spacers in nickel plated brass. Safety cap in polypropylene (transparent-yellow).

SHAFT Ø	T	Ta	U	V	Z	F
30	41,2	2	51	53	33	80
40	46,7	2	67	69	35	103



VERSION WITHOUT SAFETY CAP

VERSION INCLUDING SAFETY CAP

SHAFT Ø	ITEM DESCRIPTION	SEPARATE CLOSED SAFETY CAP PART NO.	SEPARATE OPEN SAFETY CAP PART NO.	CLOSED CAP	OPEN CAP
				ITEM DESCRIPTION	
30	UCFH206-30MT-PNLL-SG	CAP7023-P-YT-SE	CAP7023-B30M-P-YT-SE	UCFH206-30MT-PNLL-SG-CEC	UCFH206-30MT-PNLL-SG-OEC
40	UCFHXX208-40MT-PNLL-SG	CAP8437-P-YT-SE	CAP8437-B40M-P-YT-SE	UCFHXX208-40MT-PNLL-SG-CEC	UCFHXX208-40MT-PNLL-SG-OEC

Chains & sprockets	Wear strips	Side guide brackets & accessories	Levelers	Engineering manual
Modular belts & sprockets	Chain & belt return systems	Frame & structure supports	<b>Bearing supports</b>	
Curves & tracks	Side guide solutions	Miscellaneous products	Equipment	

**56044a**  
www.SystemPlastSmartGuide.com

**PN GOLD™ BEARING - 2 HOLE VERSIONS**  
**HIGH PERFORMANCE PN GOLD™ MOUNTED BALL BEARING**

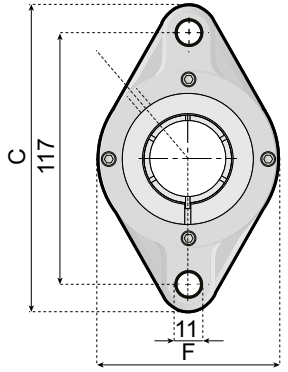
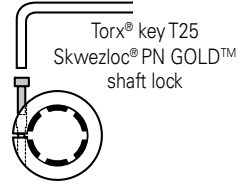


- For shaft lock with grub screw, go to: **56020a**
- For shaft lock with eccentric ring, go to: **56040a**
- For new Sealmaster® Skwezloc® bearings, go to: **56042a**

**New**



**SEALMASTER**



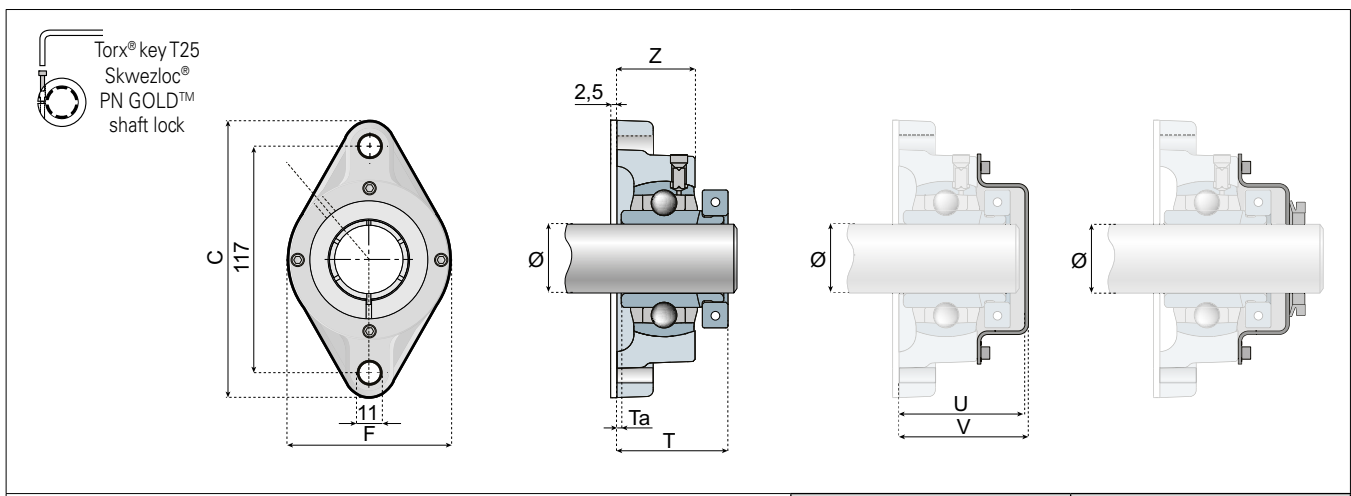
**FEATURES AND BENEFITS**

Sealmaster PN GOLD™ mounted bearings feature high phosphorus, electroless nickel coated steel insert with patented seal technology available in either setscrew or SKWEZLOC® concentric locking collar, 316 stainless casting and high strength housing configurations. The high performance triple lip seal is the latest innovation of over 10 patents on sealing technology. The combination of stainless flingers and FKM lip materials provide a strong contaminant resistance and GoldPlex® FG (USDA H1) food grade grease loss. Specially engineered for industries with corrosive wash down environments such as food and beverage, pharmaceuticals and chemical processing. PN GOLD mounted ball bearings provide outstanding performance in demanding corrosive environments.

**COMPONENTS**

- Bearing Housing Material: 316 Passivated stainless steel
- Bearing Insert Material: High phosphorus electroless nickel coated steel
- Seal Material: High performance triple lip seal
- Self Alignment: +/- 2°
- Lock Type: Skwezloc concentric locking collar
- Temperature: -29° to 104° C (-20° to 220° F)
- Grease: Sealmaster GoldPlex-FG
- End cap in stainless steel (bolts included) - must be ordered separately

SHAFT Ø	T	Ta	U	V	Z	F	C
30	39,6	1,6	45,3	46,5	29	82,6	141
40	44,4	1,6	53,2	54,4	32,3	105,6	157



SHAFT Ø	ITEM DESCRIPTION	VERSION WITHOUT SAFETY CAP	
		SEPARATE CLOSED SAFETY CAP PART NO.	SEPARATE OPEN SAFETY CAP PART NO.
30	CRBFTS-PN206T-RMW	BEC-19	BEO-19
40	CRBFTRS-PN208T-RMW	BEC-24	BEO-24

TORX is believed to be the trademark and/or trade name of Acument Intellectual Properties, LLC, and is not owned or controlled by Regal Beloit Corporation.

Chains & sprockets	Wear strips	Side guide brackets & accessories	Levelers	Engineering manual
Modular belts & sprockets	Chain & belt return systems	Frame & structure supports	<b>Bearing supports</b>	
Curves & tracks	Side guide solutions	Miscellaneous products	Equipment	



## 56050a

## FLANGED HOUSINGS - 4 HOLE VERSIONS

### GRUB SCREW VERSION - FOR SHAFT DIAMETERS: 20-40mm

[www.SystemPlastSmartGuide.com](http://www.SystemPlastSmartGuide.com)

For shaft lock with eccentric ring, go to: **56070a**

Also available for 12-17 mm shaft diameters. Go to: **56060a**

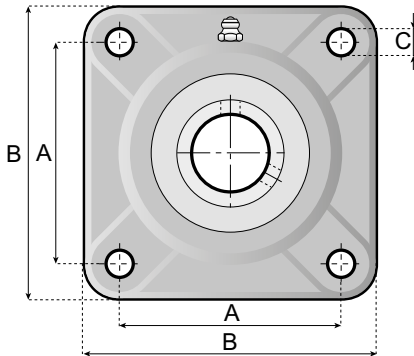


For new Sealmaster® Skwezloc® bearings, go to: **56072a**

For new Sealmaster® Skwezloc® PN GOLD™ bearings, go to: **56074a**

### TECHNICAL INFORMATION

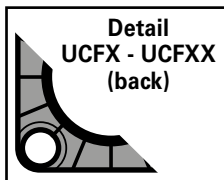
- Type UCFQ has a solid polyamide housing for ultimate strength, no trap for contamination. (UCF type has a ribbed back).
- Good resistance against many corrosive chemicals such as water, oils, greases, petrol, milk, wine, alcoholic beverages.
- Available in chrome steel and stainless steel (suitable for food, beverage and pharmaceutical industry).
- Housings also available as complete sealed units for improved protection (wash down resistant version).
- Max. mis-alignment between shaft and housing: 2.5°



Information about this product is only available on our Smart Guide® website.

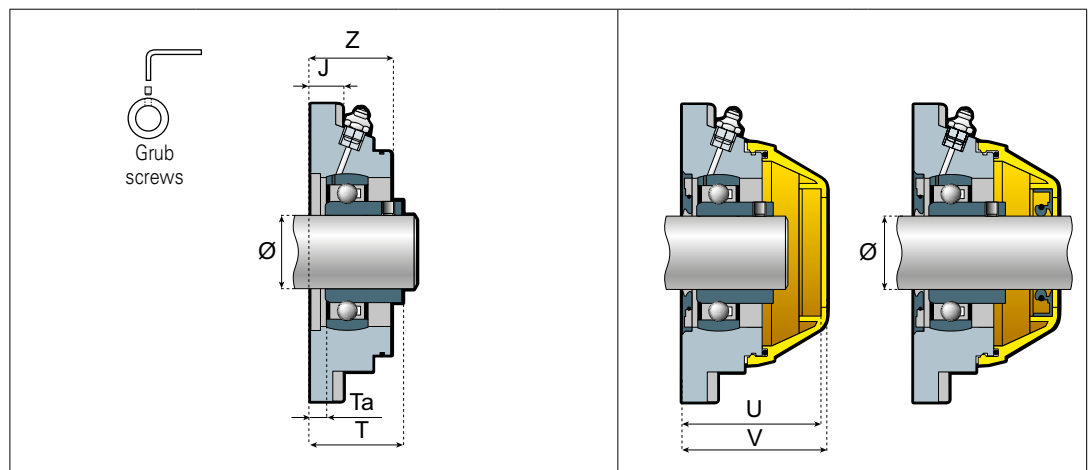
A	C	WEIGHT KG (IND.)	VERSION UCFQ		VERSION UCFX, UCFZ, UCFE AND UCFXX	
			B	J	B	J
63,5	11	0,2	86	10	86	19
70	11	0,3	95	12,5	98	19
77	11	-	-	-	110	25
82,5	11	0,5	108	12,5	110	25
92	14	0,6	118	16	118	25
101,5	14	0,8	130	16	130	25

### VERSION WITH GRUB SCREWS



### COMPONENTS

Housing in reinforced polyamide. Seals in NBR rubber. High precision self-aligning ball bearings in chrome or stainless steel, pre-lubricated. Grease nipples and spacers from nickel plated brass. Washers (where used) in AISI 304 (DIN 1.4301). Safety cap in polypropylene. (When fitted with a stainless steel bearing, the grease nipple is in stainless steel).



#### STANDARD VERSION

#### WASH DOWN RESISTANT VERSION

BEARINGS		SEPARATE CLOSED SAFETY CAP PART NO.	SEPARATE OPEN SAFETY CAP PART NO.	BEARINGS CHROME STEEL	
CHROME STEEL	STAINLESS STEEL			CLOSED CAP	OPEN CAP

SHAFT Ø	A	T	Ta	U	V	Z	ITEM DESCRIPTION		SEPARATE CLOSED SAFETY CAP PART NO.	SEPARATE OPEN SAFETY CAP PART NO.	ITEM DESCRIPTION	
							CHROME STEEL	STAINLESS STEEL			CLOSED CAP	OPEN CAP
20	63,5	33,5	8,5	48	50	26	UCFQ204-20M	UCFQ204-20M-SS	50007	50007APE	UCFQ204-20M-CEC	UCFQ204-20M-OEC
25		34,5	7,5	50	52	34,5	UCFX205-25M	UCFX205-25M-SS	50003A	50003AAPE	UCFX205-25M-CEC	UCFX205-25M-OEC
20	70	34	9	50	52	25	UCFZ204-20M	UCFZ204-20M-SS	50003A	50003AAPE	UCFZ204-20M-CEC	UCFZ204-20M-OEC
25		36,5	9,5	52	54	29	UCFQ205-25M	UCFQ205-25M-SS	50011	50011APE	UCFQ205-25M-CEC	UCFQ205-25M-OEC
30	77	46	14	68	70	36	UCFX206-30M	UCFX206-30M-SS	50004	50004APE	UCFX206-30M-CEC	UCFX206-30M-OEC
40		44	10	68	70	36	UCFXXX208-40M	UCFXXX208-40M-SS	50004	50004APE	UCFXXX208-40M-CEC	UCFXXX208-40M-OEC
25	82,5	38,5	11,5	53	55	31	UCFZ205-25M	UCFZ205-25M-SS	50001	50001APE	UCFZ205-25M-CEC	UCFZ205-25M-OEC
30		36,5	6,5	51	53	29	* UCFQ206-30M	UCFQ206-30M-SS	50001	50001APE	* UCFQ206-30M-CEC	* UCFQ206-30M-OEC
35		43,5	11,5	67	69	35	UCFX207-35M	UCFX207-35M-SS	50002	50002APE	UCFX207-35M-CEC	UCFX207-35M-OEC
40		45	11	67	69	35	* UCFXX208-40M	UCFXX208-40M-SS	50002	50002APE	* UCFXX208-40M-CEC	* UCFXX208-40M-OEC
35	92	41,5	9,5	64	66	33	UCFQ207-35M	UCFQ207-35M-SS	50004	50004APE	UCFQ207-35M-CEC	UCFQ207-35M-OEC
40		45	11	67	69	35	UCFX208-40M	UCFX208-40M-SS	50002	50002APE	UCFX208-40M-CEC	UCFX208-40M-OEC
40		101,5	43	9	63	65	35	UCFQ208-40M	UCFQ208-40M-SS	50002	50002APE	UCFQ208-40M-CEC

\* Also available SealMaster® Triathlon® Bearings version, go to: **56072a**



Chains & sprockets	Wear strips	Side guide brackets & accessories	Levelers	Engineering manual
Modular belts & sprockets	Chain & belt return systems	Frame & structure supports	<b>Bearing supports</b>	
Curves & tracks	Side guide solutions	Miscellaneous products	Equipment	



## 56060a

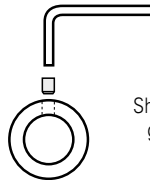
### FLANGED BEARING UCFO / UCFO-R / UCFO-RL

www.SystemPlastSmartGuide.com

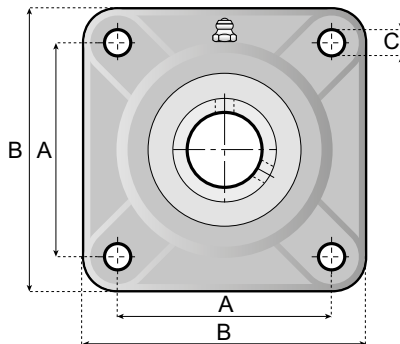
FOR SHAFT DIAMETERS: 12-17mm

Also available for 20-40 mm shaft diameters. Go to:

**56050a**



Shaft lock with grub screw



#### TECHNICAL INFORMATION

- Type UCFO has a solid polyamide housing for ultimate strength; no trap for contamination.
- Good resistance against many corrosive chemicals such as water, oils, greases, petrol, milk, wine, alcoholic beverages.
- Housings also available as complete sealed units for improved protection (wash down resistant version).
- Max. mis-alignment between shaft and housing: 2.5°

A	B	C	J	WEIGHT KG(IND.)
54	76	11	10	0,18

#### VERSION WITH GRUB SCREWS

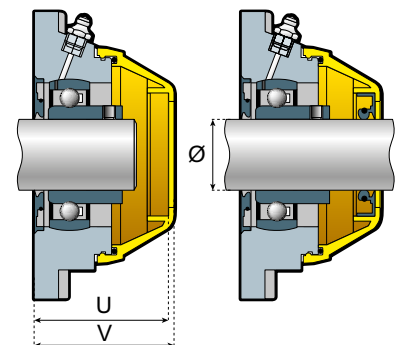
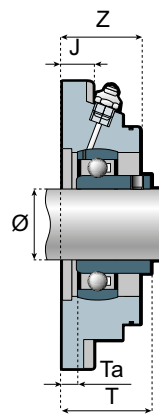
#### COMPONENTS

Housing in reinforced polyamide. Seals in NBR rubber. High precision self-aligning ball bearings in chrome or stainless steel, pre-lubricated. Grease nipples and spacers from nickel plated brass. Washers (where used) in AISI 304 (DIN 1.4301).

Safety cap in polypropylene. (When fitted with a stainless steel bearing, the grease nipple is in stainless steel).



Grub screws



#### STANDARD VERSION

#### WASH DOWN RESISTANT VERSION

SHAFT Ø	A	T	Ta	U	V	Z	BEARINGS		SEPARATE CLOSED SAFETY CAP PART NO.	SEPARATE OPEN SAFETY CAP PART NO.	BEARINGS CHROME STEEL	
							CHROME STEEL	STAINLESS STEEL			CLOSED CAP	OPEN CAP
ITEM DESCRIPTION							ITEM DESCRIPTION					
12	54	32,5	10,5	47	49	26	UCFQZ201-12M	-	50008	50008APE	UCFQZ201-12M-CEC	UCFQZ201-12M-OEC
15							UCFQZ202-15M	-			UCFQZ202-15M-CEC	UCFQZ202-15M-OEC
16				UCFQZ016-16M	-		UCFQZ016-16M-CEC	UCFQZ016-16M-OEC				
17				UCFQZ203-17M	-		UCFQZ203-17M-CEC	UCFQZ203-17M-OEC				

Chains & sprockets	Wear strips	Side guide brackets & accessories	Levelers	Engineering manual
Modular belts & sprockets	Chain & belt return systems	Frame & structure supports	<b>Bearing supports</b>	
Curves & tracks	Side guide solutions	Miscellaneous products	Equipment	

## 56070a

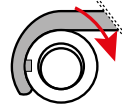
## FLANGED HOUSINGS - 4 HOLE VERSIONS - ECCENTRIC LOCK

www.SystemPlastSmartGuide.com

FOR SHAFT DIAMETERS: 20-40mm

For shaft lock with grub screw, go to: **56050a**

Also available for 12-17 mm shaft diameters. Go to: **56060a**



Shaft lock with eccentric ring

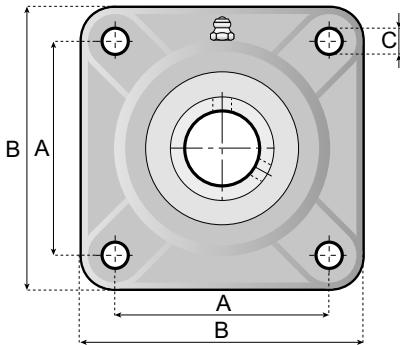


For new Sealmaster® Skwezloc® bearings, go to: **56072a**

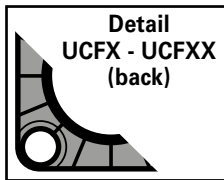
For new Sealmaster® Skwezloc® PN GOLD™ bearings, go to: **56074a**

### TECHNICAL INFORMATION

- Type UCFQ has a solid polyamide housing for ultimate strength; no trap for contamination. (UCF type has a ribbed back).
- Good resistance against many corrosive chemicals such as water, oils, greases, petrol, milk, wine, alcoholic beverages.
- Available in chrome steel and stainless steel (suitable for food, beverage and pharmaceutical industry).
- Housings also available as complete sealed units for improved protection (wash down resistant version).
- Max. mis-alignment between shaft and housing: 2.5°



A	C	WEIGHT KG (IND.)	VERSION UCFQ		VERSION UCFX, UCFZ, UCFE AND UCFXX	
			B	J	B	J
63,5	11	0,2	86	10	86	19
70	11	0,3	95	12,5	98	19
77	11	-	-	-	110	25
82,5	11	0,5	108	12,5	110	25
92	14	0,6	118	16	118	25
101,5	14	0,8	130	16	130	25

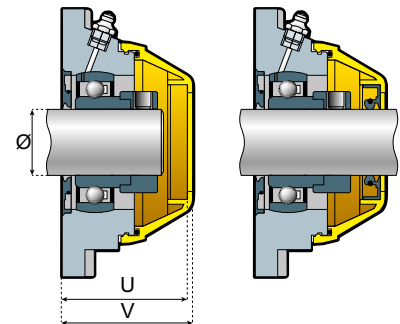
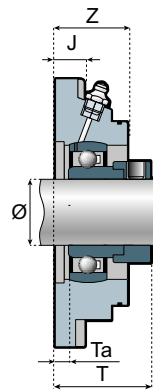


### COMPONENTS

Housing in reinforced polyamide. Seals in NBR rubber. High precision self-aligning ball bearings in chrome- or stainless steel, pre-lubricated. Grease nipples and spacers from nickel plated brass. Washers (where used) in AISI 304 (DIN 1.4301). Safety cap in polypropylene. (When fitted with a stainless steel bearing, the grease nipple is in stainless steel).



Eccentric ring



### VERSION WITH ECCENTRIC RING

#### STANDARD VERSION

#### WASH DOWN RESISTANT VERSION

BEARINGS CHROME STEEL

SEPARATE CLOSED SAFETY CAP PART NO.

SEPARATE OPEN SAFETY CAP PART NO.

BEARINGS CHROME STEEL

CLOSED CAP

OPEN CAP

SHAFT Ø	A	T	Ta	U	V	Z	ITEM DESCRIPTION	PART NO.	PART NO.	ITEM DESCRIPTION	
										CLOSED CAP	OPEN CAP
20	63,5	39,4	8,5	48	50	26	UCFQ204-20ME	50007	50007APE	UCFQ204-20ME-CEC	UCFQ204-20ME-OEC
25		38,4	7,5	50	52	25	UCFX205-25ME	50003A	50003AAPE	UCFX205-25ME-CEC	UCFX205-25ME-OEC
20	70	39,9	9	50	52	25	UCFZ204-20ME	50003A	50003AAPE	UCFZ204-20ME-CEC	UCFZ204-20ME-OEC
25		40,4	9,5	52	54	29	UCFQ205-25ME	50011	50011APE	UCFQ205-25ME-CEC	UCFQ205-25ME-OEC
30	77	49,7	14	68	70	36	UCFX206-30ME	50004	50004APE	UCFX206-30ME-CEC	UCFX206-30ME-OEC
40		53,7	10	68	70	36	UCFXX208-40ME	50004	50004APE	UCFXX208-40ME-CEC	UCFXX208-40ME-OEC
25	82,5	42,4	11,5	53	55	31	UCFZ205-25ME	50001	50001APE	UCFZ205-25ME-CEC	UCFZ205-25ME-OEC
30		42,2	6,5	51	53	29	UCFQ206-30ME	50001	50001APE	UCFQ206-30ME-CEC	UCFQ206-30ME-OEC
35		50,4	11,5	67	69	35	UCFX207-35ME	50002	50002APE	UCFX207-35ME-CEC	UCFX207-35ME-OEC
40		54,7	11	67	69	35	UCFXX208-40ME	50002	50002APE	UCFXX208-40ME-CEC	UCFXX208-40ME-OEC
35	92	48,4	9,5	64	66	33	UCFQ207-35ME	50004	50004APE	UCFQ207-35ME-CEC	UCFQ207-35ME-OEC
40		54,7	11	67	69	35	UCFX208-40ME	50002	50002APE	UCFX208-40ME-CEC	UCFX208-40ME-OEC
40	101,5	52,7	9	63	65	35	UCFQ208-40ME	50002	50002APE	UCFQ208-40ME-CEC	UCFQ208-40ME-OEC

\* Also available SealMaster® Triathlon® Bearings version, go to: **56072a**

Chains & sprockets	Wear strips	Side guide brackets & accessories	Levelers	Engineering manual
Modular belts & sprockets	Chain & belt return systems	Frame & structure supports	<b>Bearing supports</b>	
Curves & tracks	Side guide solutions	Miscellaneous products	Equipment	

**5 6 0 7 2 a**

**TRIATHLON® WASHDOWN BEARING - 4 HOLE VERSIONS**

**HIGH PERFORMANCE PN GOLD™ MOUNTED BALL BEARING**

[www.SystemPlastSmartGuide.com](http://www.SystemPlastSmartGuide.com)



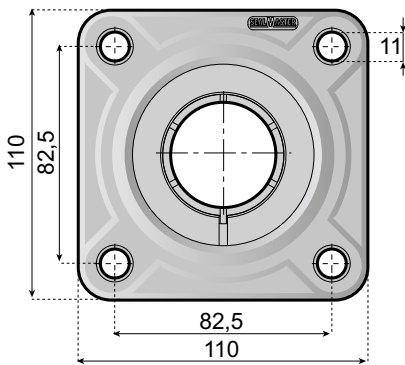
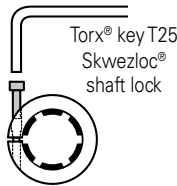
For shaft lock with grub screw, go to: **5 6 0 5 0 a**

For shaft lock with eccentric ring, go to: **5 6 0 7 0 a**

For new Sealmaster® Skwezloc® PN GOLD™ bearings, go to: **5 6 0 7 4 a**

**New**

**SEALMASTER**



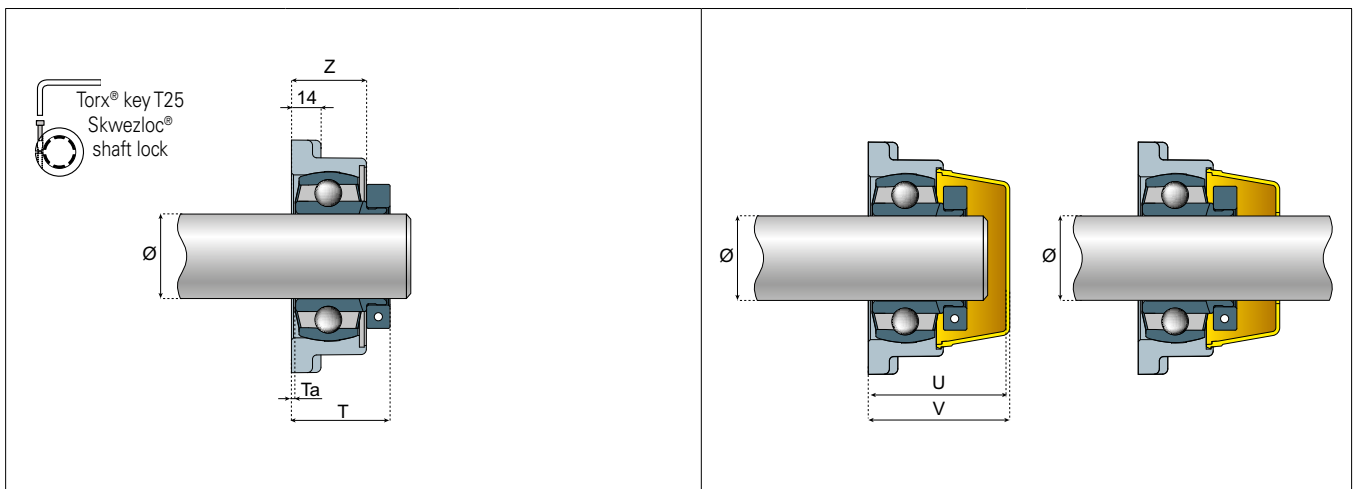
**FEATURES AND BENEFITS**

- High Phosphorous Nickel Plated Bearing Inner & Outer Ring for exceptional corrosion resistance.
- High Performance Triple Lip Seal to minimize contamination ingress and retain lubrication.
- Locking collar centers the shaft in the bearing bore and secures the shaft with near perfect concentricity.
- Reduced Bolt Hole Spacing to replace OEM compact conveyor designs with 30mm and 40mm shaft diameters.
- Durable polyamide housing with corrosion resistant bolt hole spacers.
- Securely fastened snap in end cap to further protect bearing with drain hole to prevent liquid build up inside.
- Lubed for Life design with Tapered Land Outer ring race profile to direct lubrication into the ball path.
- Max. mis-alignment between shaft and housing: 2°

**COMPONENTS**

Housing in reinforced polyamide light grey. High precision self-aligning ball bearings in hardened corrosion resistant steel. Spacers in nickel plated brass. Safety cap in polypropylene (transparent-yellow).

SHAFT Ø	T	Ta	U	V	Z
30	41,2	2	51	53	33
40	46,7	2	67	69	35



SHAFT Ø	ITEM DESCRIPTION	SEPARATE CLOSED SAFETY CAP PART NO.	SEPARATE OPEN SAFETY CAP PART NO.	VERSION INCLUDING SAFETY CAP	
				CLOSED CAP	OPEN CAP
ITEM DESCRIPTION					
30	UCFQ206-30MT-PNLL-SG	CAP7023-P-YT-SE	CAP7023-B30M-P-YT-SE	UCFQ206-30MT-PNLL-SG-CEC	UCFQ206-30MT-PNLL-SG-OEC
40	UCFQXX208-40MT-PNLL-SG	CAP8437-P-YT-SE	CAP8437-B40M-P-YT-SE	UCFQXX208-40MT-PNLL-SG-CEC	UCFQXX208-40MT-PNLL-SG-OEC

Chains & sprockets	Wear strips	Side guide brackets & accessories	Levelers	Engineering manual
Modular belts & sprockets	Chain & belt return systems	Frame & structure supports	<b>Bearing supports</b>	
Curves & tracks	Side guide solutions	Miscellaneous products	Equipment	

**5 6 0 7 4 a**

**PN GOLD™ BEARING - 4 HOLE VERSIONS**

**HIGH PERFORMANCE PN GOLD™ MOUNTED BALL BEARING**

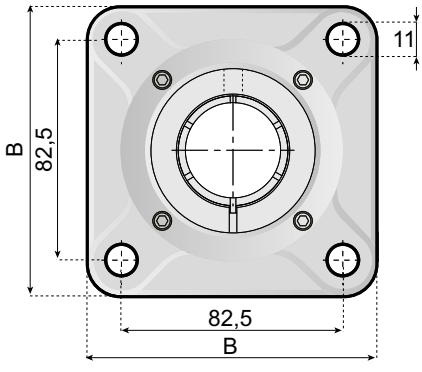
[www.SystemPlastSmartGuide.com](http://www.SystemPlastSmartGuide.com)



- For shaft lock with grub screw, go to: **56050a**
- For shaft lock with eccentric ring, go to: **56070a**
- For new Sealmaster® Skwezloc® bearings, go to: **56074a**

**New**

**SEALMASTER®**



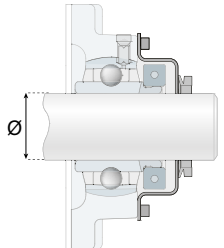
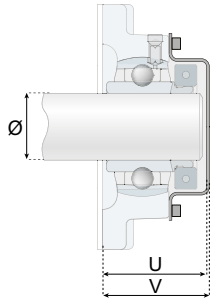
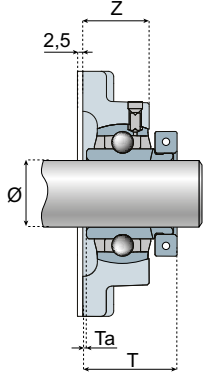
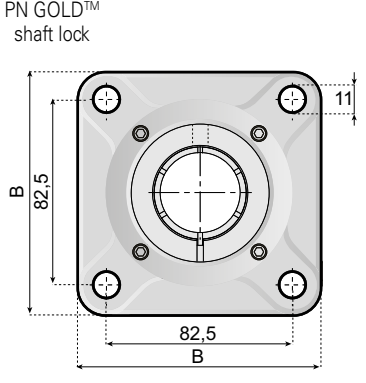
**FEATURES AND BENEFITS**

Sealmaster PN GOLD™ mounted bearings feature high phosphorus, electroless nickel coated steel insert with patented seal technology available in either setscrew or SKWEZLOC® concentric locking collar, 316 stainless casting and high strength housing configurations. The high performance triple lip seal is the latest innovation of over 10 patents on sealing technology. The combination of stainless flingers and FKM lip materials provide a strong contaminant resistance and GoldPlex® FG (USDA H1) food grade grease loss. Specially engineered for industries with corrosive wash down environments such as food and beverage, pharmaceuticals and chemical processing. PN GOLD mounted ball bearings provide outstanding performance in demanding corrosive environments.

**COMPONENTS**

- Bearing Housing Material: 316 Passivated stainless steel
- Bearing Insert Material: High phosphorus electroless nickel coated steel
- Seal Material: High performance triple lip seal
- Self Alignment: +/- 2°
- Lock Type: Skwezloc concentric locking collar
- Temperature: -29° to 104° C (-20° to 220° F)
- Grease: Sealmaster GoldPlex-FG
- End cap in stainless steel (bolts included) - must be ordered separately

SHAFT Ø	T	Ta	U	V	Z	B
30	39,6	1,6	45,3	46,5	29	108
40	44,4	1,6	53,2	54,4	32,3	111



**VERSION WITHOUT SAFETY CAP**

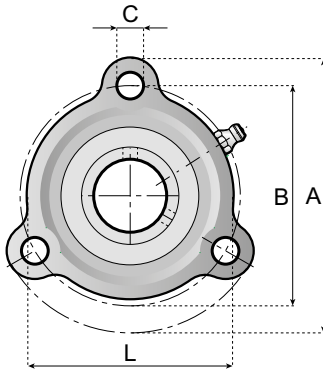
SHAFT Ø	ITEM DESCRIPTION	SEPARATE CLOSED SAFETY CAP PART NO.	SEPARATE OPEN SAFETY CAP PART NO.
30	<b>CRBFS-PN206T-RMW</b>	<b>BEC-19</b>	<b>BEO-19</b>
40	<b>CRBFRS-PN208T-RMW</b>	<b>BEC-24</b>	<b>BEO-24</b>

Chains & sprockets	Wear strips	Side guide brackets & accessories	Levelers	Engineering manual
Modular belts & sprockets	Chain & belt return systems	Frame & structure supports	<b>Bearing supports</b>	
Curves & tracks	Side guide solutions	Miscellaneous products	Equipment	

## 56080a

### FLANGED BEARING UCFCG/UCFG-R

www.SystemPlastSmartGuide.com



#### TECHNICAL INFORMATION

- Good resistance against many corrosive chemicals such as water, oils, greases, petrol, milk, wine, alcoholic beverages.
- Available in chrome steel and stainless steel bearings, (suitable for food, beverage and pharmaceutical industry).
- Housings also available as complete sealed units for improved protection (wash down resistant version).
- Max. mis-alignment between shaft and housing: 2.5°

#### VERSION WITH GRUB SCREWS

Grub screws															
<b>STANDARD VERSION</b>				<b>WASH DOWN RESISTANT VERSION</b>											
<b>BEARINGS</b>		SEPARATE CLOSED SAFETY CAP PART NO.	SEPARATE OPEN SAFETY CAP PART NO.	<b>BEARINGS CHROME STEEL</b>											
CHROME STEEL	STAINLESS STEEL			CLOSED CAP	OPEN CAP										
SHAFT Ø	A	B	C	L	T	Ta	U	V	Z	ITEM DESCRIPTION					
25	95,5	76,2	8,5	71	33	6	48	50	25	UCFCG205-25M	UCFCG205-25M-SS	50009	50009APE	UCFCG205-25M-CEC	UCFCG205-25M-OEC
30	113	91	11	84,1	35,5	5,5	54	56	27	UCFCG206-30M	UCFCG206-30M-SS	50027	50027APE	UCFCG206-30M-CEC	UCFCG206-30M-OEC
35	126,5	101,5	11	93,7	41,5	9,5	60	62	33	UCFCG207-35M	UCFCG207-35M-SS	50010	50010APE	UCFCG207-35M-CEC	UCFCG207-35M-OEC

#### VERSION WITH ECCENTRIC RING

Eccentric ring														
<b>STANDARD VERSION</b>				<b>WASH DOWN RESISTANT VERSION</b>										
<b>BEARINGS CHROME STEEL</b>		SEPARATE CLOSED SAFETY CAP PART NO.	SEPARATE OPEN SAFETY CAP PART NO.	<b>BEARINGS CHROME STEEL</b>										
ITEM DESCRIPTION				CLOSED CAP	OPEN CAP									
SHAFT Ø	A	B	C	L	T	Ta	U	V	Z	ITEM DESCRIPTION				
25	95,5	76,2	8,5	71	36,9	6	48	50	25	UCFCG205-25ME	50009	50009APE	UCFCG205-25ME-CEC	UCFCG205-25ME-OEC
30	113	91	11	84,1	41,2	5,5	54	56	27	UCFCG206-30ME	50027	50027APE	UCFCG206-30ME-CEC	UCFCG206-30ME-OEC
35	126,5	101,5	11	93,7	48,4	9,5	60	62	33	UCFCG207-35ME	50010	50010APE	UCFCG207-35ME-CEC	UCFCG207-35ME-OEC

#### COMPONENTS

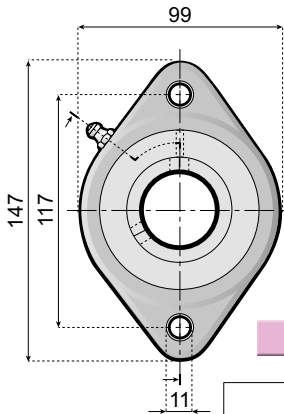
Housing in reinforced polyamide. Seals in NBR rubber. High precision self-aligning ball bearings in chrome- or stainless steel, pre-lubricated. Grease nipples and spacers from nickel plated brass. Washers (where used) in AISI 304 (DIN 1.4301). Safety cap in polypropylene. (When fitted with a stainless steel bearing, the grease nipple is in stainless steel).

Chains & sprockets	Wear strips	Side guide brackets & accessories	Levelers	Engineering manual
Modular belts & sprockets	Chain & belt return systems	Frame & structure supports	<b>Bearing supports</b>	
Curves & tracks	Side guide solutions	Miscellaneous products	Equipment	

## 56090a

### STAINLESS STEEL FLANGED BEARING CL / CLR

www.SystemPlastSmartGuide.com



#### TECHNICAL INFORMATION

- Housing reinforced and protected with polished stainless steel cover.
- Solid polyamide housing for ultimate strength; no trap for contaminants.
- Good resistance to highly corrosive chemicals such as acid, organic liquids, detergents.
- High load capacity.

#### VERSION WITH GRUB SCREWS

			STANDARD VERSIONS			WASH DOWN RESISTANT VERSION				
			BEARINGS CHROME STEEL	SEPARATE CLOSED SAFETY CAP PART NO.	SEPARATE OPEN SAFETY CAP PART NO.	BEARINGS CHROME STEEL		BEARINGS STAINLESS STEEL		
			CLOSED CAP			OPEN CAP	CLOSED CAP	OPEN CAP		
			ITEM DESCRIPTION			ITEM DESCRIPTION		ITEM DESCRIPTION		
SHAFT Ø	T	Ta	ITEM DESCRIPTION	SEPARATE CLOSED SAFETY CAP PART NO.	SEPARATE OPEN SAFETY CAP PART NO.	CL206-30M-CEC	CL206-30M-OEC	CL206-30M-SS-CEC	CL206-30M-SS-OEC	
30	43	13	CL206-30M	50002	50002APE	CL206-30M-CEC	CL206-30M-OEC	CL206-30M-SS-CEC	CL206-30M-SS-OEC	
35	52,5	11	CLX207-35M	50002	50002APE	CLX207-35M-CEC	CLX207-35M-OEC	CLX207-35M-SS-CEC	CLX207-35M-SS-OEC	
40	43,3	9,3	CLXX208-40M	50002	50002APE	CLXX208-40M-CEC	CLXX208-40M-OEC	CLXX208-40M-SS-CEC	CLXX208-40M-SS-OEC	

#### VERSION WITH ECCENTRIC RING

#### COMPONENTS

Housing in reinforced polyamide. Cover housing in stainless steel AISI 304-DIN 1.4301. Seals in NBR rubber. Self aligning ball bearing in chrome or stainless steel, pre-lubricated. Nickel plated brass ball-type grease nipple. Spacers from nickel plated brass. Safety cap in polypropylene.

			STANDARD VERSIONS			WASH DOWN RESISTANT VERSION				
			BEARINGS CHROME STEEL	SEPARATE CLOSED SAFETY CAP PART NO.	SEPARATE OPEN SAFETY CAP PART NO.	BEARINGS CHROME STEEL		BEARINGS STAINLESS STEEL		
			CLOSED CAP			OPEN CAP	CLOSED CAP	OPEN CAP		
			ITEM DESCRIPTION			ITEM DESCRIPTION		ITEM DESCRIPTION		
SHAFT Ø	T	Ta	ITEM DESCRIPTION	SEPARATE CLOSED SAFETY CAP PART NO.	SEPARATE OPEN SAFETY CAP PART NO.	CL206-30ME-CEC	CL206-30ME-OEC	CLX207-35ME-CEC	CLX207-35ME-OEC	
30	48,7	13	CL206-30ME	50002	50002APE	CL206-30ME-CEC	CL206-30ME-OEC	CLX207-35ME-CEC	CLX207-35ME-OEC	
35	49,4	10,5	CLX207-35ME	50002	50002APE	CLX207-35ME-CEC	CLX207-35ME-OEC	CLX207-35ME-CEC	CLX207-35ME-OEC	
40	53	9,25	CLXX208-40ME	50002	50002APE	CLXX208-40ME-CEC	CLXX208-40ME-OEC	CLXX208-40ME-CEC	CLXX208-40ME-OEC	

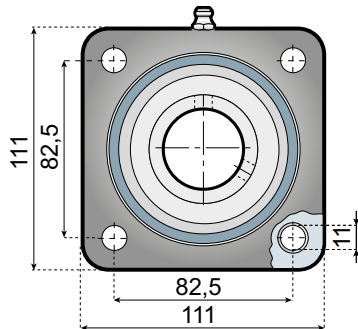
Chains & sprockets	Wear strips	Side guide brackets & accessories	Levelers	Engineering manual
Modular belts & sprockets	Chain & belt return systems	Frame & structure supports	<b>Bearing supports</b>	
Curves & tracks	Side guide solutions	Miscellaneous products	Equipment	



## 56100a

### FLANGED BEARING CS / CSR

www.SystemPlastSmartGuide.com

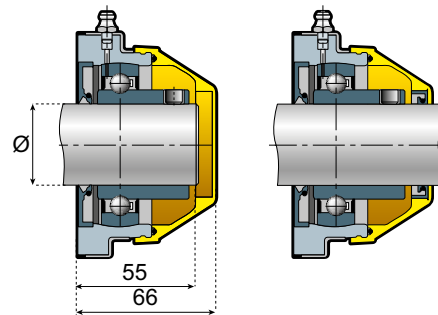
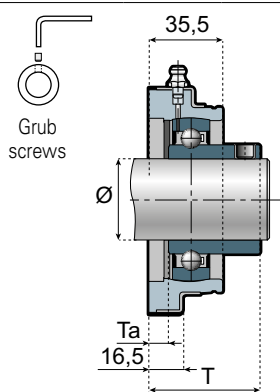


#### TECHNICAL INFORMATION

- Housing reinforced and protected with polished stainless steel cover.
- Solid polyamide housing for ultimate strength; no trap for contaminants.
- Good resistance to highly corrosive chemicals such as acid, organic liquids, detergents.
- High load capacity.



#### VERSION WITH GRUB SCREWS

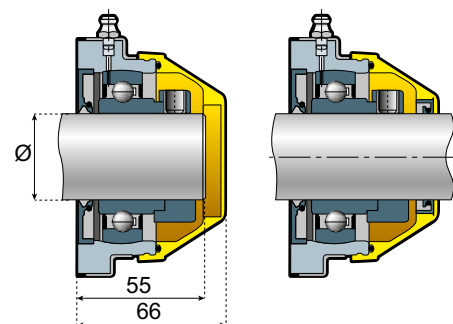
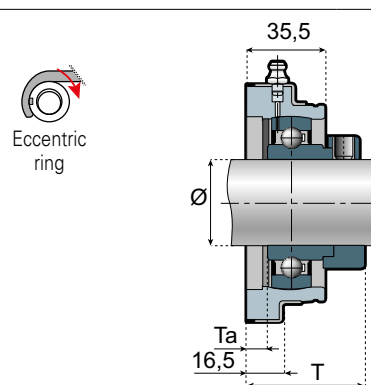


#### STANDARD VERSION

#### WASH DOWN RESISTANT VERSION

SHAFT Ø	T	Ta	BEARINGS CHROME STEEL ITEM DESCRIPTION	SEPARATE CLOSED SAFETY CAP PART NO.	SEPARATE OPEN SAFETY CAP PART NO.	BEARINGS CHROME STEEL		BEARINGS STAINLESS STEEL	
						CLOSED CAP	OPEN CAP	CLOSED CAP	OPEN CAP
						ITEM DESCRIPTION		ITEM DESCRIPTION	
30	43	13	CS206-30M	50002	50002APE	CS206-30M-CEC	CS206-30M-OEC	CS206-30M-SS-CEC	CS206-30M-SS-OEC
35	52,5	11	CSX207-35M	50002	50002APE	CSX207-35M-CEC	CSX207-35M-OEC	CSX207-35M-SS-CEC	CSX207-35M-SS-OEC
40	43,3	9,3	CSXX208-40M	50002	50002APE	CSXX208-40M-CEC	CSXX208-40M-OEC	CSXX208-40M-SS-CEC	CSXX208-40M-SS-OEC

#### VERSION WITH ECCENTRIC RING



#### STANDARD VERSION

#### WASH DOWN RESISTANT VERSION

SHAFT Ø	T	Ta	BEARINGS CHROME STEEL ITEM DESCRIPTION	SEPARATE CLOSED SAFETY CAP PART NO.	SEPARATE OPEN SAFETY CAP PART NO.	BEARINGS CHROME STEEL	
						CLOSED CAP	OPEN CAP
						ITEM DESCRIPTION	
30	48,7	13	CS206-30ME	50002	50002APE	CS206-30ME-CEC	CS206-30ME-OEC
35	49,4	10,5	CSX207-35ME	50002	50002APE	CSX207-35ME-CEC	CSX207-35ME-OEC
40	52,95	9,25	CSXX208-40ME	50002	50002APE	CSXX208-40ME-CEC	CSXX208-40ME-OEC
40	44,7	1	CSCXX208-40ME	50002	50002APE	-	-

#### COMPONENTS

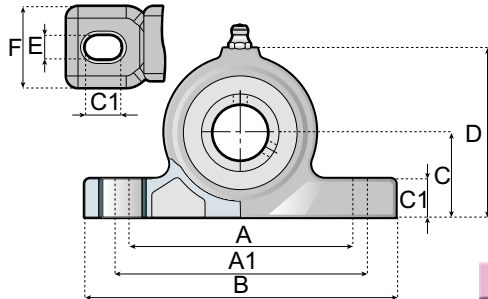
Housing in reinforced polyamide. Cover housing in stainless steel AISI 304-DIN 1.4301. Seals in NBR rubber. Self aligning ball bearing in chrome or stainless steel, pre-lubricated. Nickel plated brass ball-type grease nipple. Spacers from nickel plated brass. Safety cap in polypropylene.

Chains & sprockets	Wear strips	Side guide brackets & accessories	Levelers	Engineering manual
Modular belts & sprockets	Chain & belt return systems	Frame & structure supports	<b>Bearing supports</b>	
Curves & tracks	Side guide solutions	Miscellaneous products	Equipment	

## 56110a

### PILLOW BLOCK BEARING UCP

www.SystemPlastSmartGuide.com



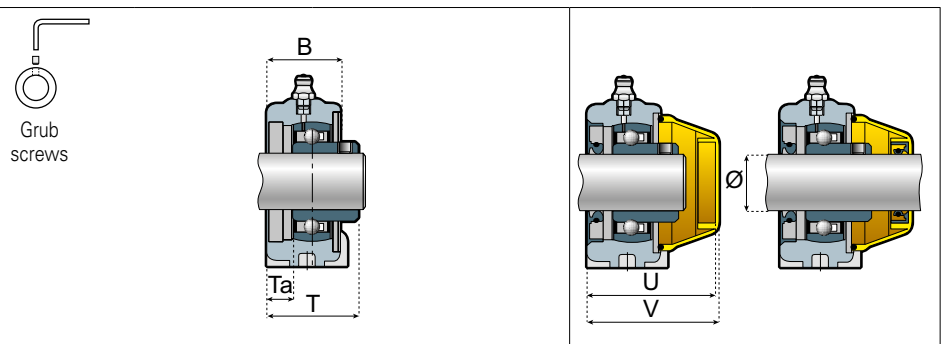
A	A1	B	C	C1	D	E	E1	F	WEIGHT KG(IND.)
91	103	127	33,3	16	67	11	17	31	0,33
97	109	135	36,5	16	72,5	11	17	35	0,42
111	129	156	42,9	21,5	87	13	22	41	0,55
117	135	164	47,6	21,5	95	13	22	45	0,78
129	147	179	49,2	21,5	100	13	22	48	0,97



#### TECHNICAL INFORMATION

- Good resistance against many corrosive. Chemicals such as water, oils, greases, petrol, milk, wine, alcoholic beverages.
- Available in chrome steel and stainless steel bearings, (suitable for food, beverage and pharmaceutical industry).
- Housings also available as complete sealed units for improved protection (wash down resistant version).
- Max. mis-alignment between shaft and housing: 2.5°

#### VERSION WITH GRUB SCREWS

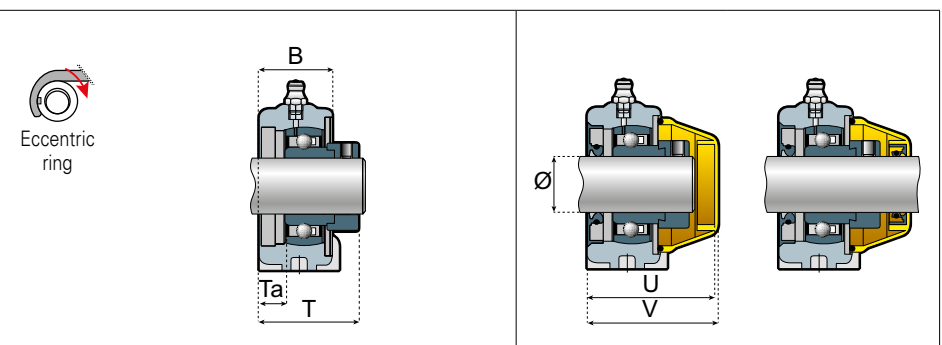


STANDARD VERSION				WASH DOWN RESISTANT VERSION							
BEARINGS		SEPARATE CLOSED SAFETY CAP PART NO.	SEPARATE OPEN SAFETY CAP PART NO.	BEARINGS CHROME STEEL							
CHROME STEEL	STAINLESS STEEL			CLOSED CAP	OPEN CAP						
ITEM DESCRIPTION		ITEM DESCRIPTION									
20	91	36	11	50,5	52,5	UCP204-20M	UCP204-20M-SS	50013	50013APE	UCP204-20M-CEC	UCP204-20M-OEC
25	97	39,5	12,5	55	57	UCP205-25M	UCP205-25M-SS	50009	50009APE	UCP205-25M-CEC	UCP205-25M-OEC
30	111	46	16	65	67	UCP206-30M	UCP206-30M-SS	50010	50010APE	UCP206-30M-CEC	UCP206-30M-OEC
35	117	49	17	67	69	UCP207-35M	UCP207-35M-SS	50010	50010APE	UCP207-35M-CEC	UCP207-35M-OEC
40	129	45	11	63	65	UCP208-40M	UCP208-40M-SS	50014	50014APE	UCP208-40M-CEC	UCP208-40M-OEC

#### COMPONENTS

Housing in reinforced polyamide. Seals in NBR rubber. High precision self-aligning ball bearings in chrome- or stainless steel, pre-lubricated. Grease nipples and spacers from nickel plated brass. Washers (where used) in AISI 304 (DIN 1.4301). Safety cap in polypropylene. (When fitted with a stainless steel bearing, the grease nipple is in stainless steel).

#### VERSION WITH ECCENTRIC RING



STANDARD VERSION				WASH DOWN RESISTANT VERSION						
BEARINGS CHROME STEEL		SEPARATE CLOSED SAFETY CAP PART NO.	SEPARATE OPEN SAFETY CAP PART NO.	BEARINGS CHROME STEEL						
ITEM DESCRIPTION				CLOSED CAP	OPEN CAP					
ITEM DESCRIPTION		ITEM DESCRIPTION								
20	91	41,9	11	50,5	52,5	UCP204-20ME	50013	50013APE	UCP204-20ME-CEC	UCP204-20ME-OEC
25	97	43,4	12,5	55	57	UCP205-25ME	50009	50009APE	UCP205-25ME-CEC	UCP205-25ME-OEC
30	111	51,7	16	65	67	UCP206-30ME	50010	50010APE	UCP206-30ME-CEC	UCP206-30ME-OEC
35	117	55,9	17	67	69	UCP207-35ME	50010	50010APE	UCP207-35ME-CEC	UCP207-35ME-OEC
40	129	54,7	11	63	65	UCP208-40ME	50014	50014APE	UCP208-40ME-CEC	UCP208-40ME-OEC



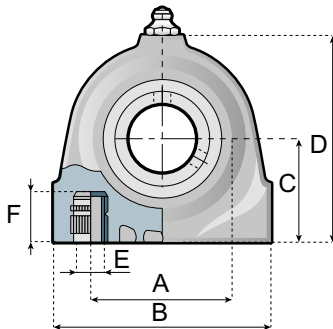
Chains & sprockets	Wear strips	Side guide brackets & accessories	Levelers	Engineering manual
Modular belts & sprockets	Chain & belt return systems	Frame & structure supports	<b>Bearing supports</b>	
Curves & tracks	Side guide solutions	Miscellaneous products	Equipment	



## 56120a

### PILLOW BLOCK BEARING UCPA / UCPA-R

www.SystemPlastSmartGuide.com



A	B	C	D	E	F	WEIGHT KG(IND.)
50,8	70	33,3	65	M8	16	0,30
50,8	75	36,5	72	M10	16	0,37
76,2	98	42,9	85	M10	24	0,50

#### TECHNICAL INFORMATION

- Good resistance against many corrosive chemicals such as water, oils, greases, petrol, milk, wine, alcoholic beverages.
- Available in chrome steel, and stainless steel bearings, (suitable for food, beverage and pharmaceutical industry).
- Housings also available as complete sealed units for improved protection (wash down resistant version).
- Max. mis-alignment between shaft and housing: 2.5°

#### VERSION WITH GRUB SCREWS

Grub screws

				STANDARD VERSION		WASH DOWN RESISTANT VERSION							
				BEARINGS		BEARINGS CHROME STEEL							
				CHROME STEEL	STAINLESS STEEL	CLOSED CAP	OPEN CAP						
				SEPARATE CLOSED SAFETY CAP PART NO.		SEPARATE OPEN SAFETY CAP PART NO.							
SHAFT Ø	A	H	T	Ta	U	V	Z	ITEM DESCRIPTION					
20	50,8	16	35,5	10,5	49	51	32	UCPA204-20M	UCPA204-20M-SS	50008	50008APE	UCPA204-20M-CEC	UCPA204-20M-OEC
25	50,8	18	39	12	54	56	36	UCPA205-25M	UCPA205-25M-SS	50007	50007APE	UCPA205-25M-CEC	UCPA205-25M-OEC
30	76,2	20	42	12	59	61	40	UCPA206-30M	UCPA206-30M-SS	50003A	50003AAPE	UCPA206-30M-CEC	UCPA206-30M-OEC

#### COMPONENTS

Housing in reinforced polyamide. Seals in NBR rubber. High precision self-aligning ball bearings in chrome- or stainless steel, pre-lubricated. Grease nipples and spacers from nickel plated brass. Washers (where used) in AISI 304 (DIN 1.4301). Safety cap in polypropylene. (When fitted with a stainless steel bearing, the grease nipple is in stainless steel).

#### VERSION WITH ECCENTRIC RING

Eccentric ring

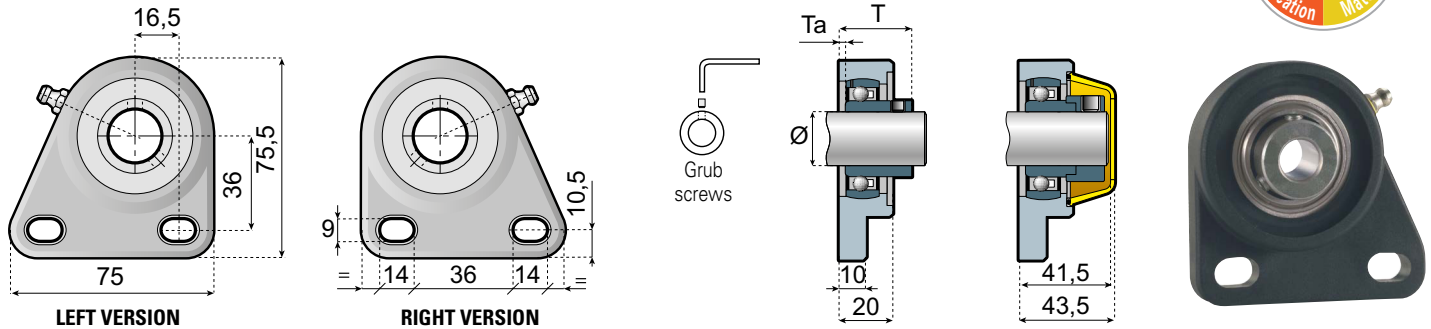
				STANDARD VERSION		WASH DOWN RESISTANT VERSION						
				BEARINGS CHROME STEEL		BEARINGS CHROME STEEL						
				CLOSED CAP	OPEN CAP	CLOSED CAP	OPEN CAP					
				SEPARATE CLOSED SAFETY CAP PART NO.		SEPARATE OPEN SAFETY CAP PART NO.						
SHAFT Ø	A	H	T	Ta	U	V	Z	ITEM DESCRIPTION				
20	50,8	16	41,4	10,5	49	51	32	UCPA204-20ME	50008	50008APE	UCPA204-20ME-CEC	UCPA204-20ME-OEC
25	50,8	18	43,4	12,5	54	56	36	UCPA205-25ME	50007	50007APE	UCPA205-25ME-CEC	UCPA205-25ME-OEC
30	76,2	20	47,7	12	59	61	40	UCPA206-30ME	50003A	50003AAPE	UCPA206-30ME-CEC	UCPA206-30ME-OEC

Chains & sprockets	Wear strips	Side guide brackets & accessories	Levelers	Engineering manual
Modular belts & sprockets	Chain & belt return systems	Frame & structure supports	<b>Bearing supports</b>	
Curves & tracks	Side guide solutions	Miscellaneous products	Equipment	

**56130a**

## FLANGED BEARING SQL RIGHT/LEFT

www.SystemPlastSmartGuide.com



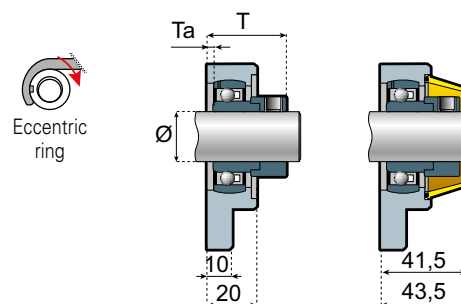
### VERSION WITH GRUB SCREWS

#### TECHNICAL INFORMATION

- Good resistance against many corrosive chemicals such as water, oils, greases, petrol, milk, wine, alcoholic beverages.
- Available in chrome steel, and stainless steel bearings, (suitable for food, beverage and pharmaceutical industry).
- Housings also available as complete sealed units for improved protection (wash down resistant version).
- Max. mis-alignment between shaft and housing: 2.5°

SHAFT Ø	T	Ta	STANDARD VERSION			
			BEARINGS		SEPARATE CLOSED SAFETY CAP PART NO.	SEPARATE OPEN SAFETY CAP PART NO.
			CHROME STEEL	STAINLESS STEEL		
ITEM DESCRIPTION						
<b>LEFT VERSION</b>						
12	26,5	4,5	SQLL201-12M	-	50012	50012APE
15	26,5	4,5	SQLL202-15M	-	50012	50012APE
16	26,5	4,5	SQLL203-16M	-	50012	50012APE
17	26,5	4,5	SQLL203-17M	-	50012	50012APE
20	27	2	SQLL204-20M	SQLL204-20M-SS	50012	50012APE
<b>RIGHT VERSION</b>						
12	26,5	4,5	SQLR201-12M	-	50012	50012APE
15	26,5	4,5	SQLR202-15M	-	50012	50012APE
16	26,5	4,5	SQLR203-16M	-	50012	50012APE
17	26,5	4,5	SQLR203-17M	-	50012	50012APE
20	27	2	SQLR204-20M	SQLR204-20M-SS	50012	50012APE

### VERSION WITH ECCENTRIC RING



#### COMPONENTS

Housing in reinforced polyamide. Seals in NBR rubber. High precision self-aligning ball bearings in chrome- or stainless steel, pre-lubricated. Grease nipples and spacers from nickel plated brass. Washers (where used) in AISI 304 (DIN 1.4301). Safety cap in polypropylene. (When fitted with a stainless steel bearing, the grease nipple is in stainless steel).

SHAFT Ø	T	Ta	STANDARD VERSION			
			BEARINGS CHROME STEEL		SEPARATE CLOSED SAFETY CAP PART NO.	SEPARATE OPEN SAFETY CAP PART NO.
			ITEM DESCRIPTION			
<b>LEFT VERSION</b>						
20	27	2	SQLL204-20ME		50012	50012APE
<b>RIGHT VERSION</b>						
20	27	2	SQLR204-20ME		50012	50012APE

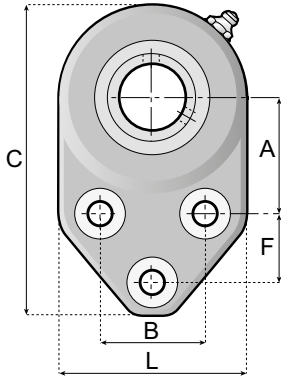
Chains & sprockets	Wear strips	Side guide brackets & accessories	Levelers	Engineering manual
Modular belts & sprockets	Chain & belt return systems	Frame & structure supports	<b>Bearing supports</b>	
Curves & tracks	Side guide solutions	Miscellaneous products	Equipment	



## 56140a

### FLANGED BEARING UCFB

www.SystemPlastSmartGuide.com

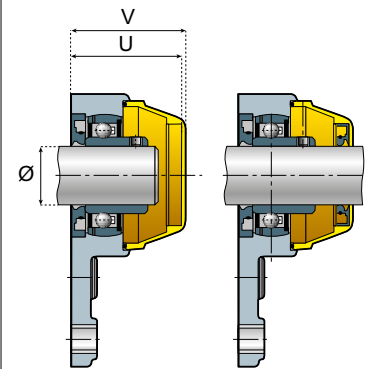
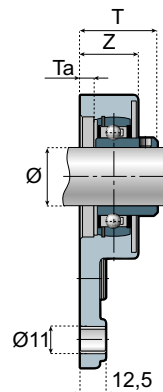


A	B	C	F	L	Z	WEIGHT KG(IND.)
46	41,3	125	28,6	69	27,5	0,43
52,4	47,6	140,5	31,7	84	29,5	0,52

#### TECHNICAL INFORMATION

- Good resistance against many corrosive chemicals such as water, oils, greases, petrol, milk, wine, alcoholic beverages.
- Available in chrome steel and stainless steel bearings, (suitable for food, beverage and pharmaceutical industry).
- Housings also available as completely sealed units for improved protection (wash down resistant version).
- Max. mis-alignment between shaft and housing: 2.5°

#### VERSION WITH GRUB SCREWS



#### STANDARD VERSION

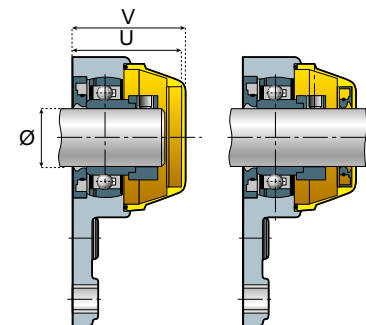
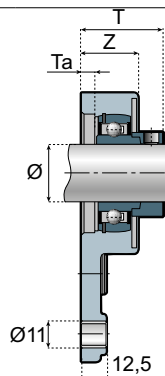
#### WASH DOWN RESISTANT VERSION

BEARINGS		SEPARATE CLOSED SAFETY CAP PART NO.	SEPARATE OPEN SAFETY CAP PART NO.
CHROME STEEL	STAINLESS STEEL		
ITEM DESCRIPTION			

BEARINGS CHROME STEEL	
CLOSED CAP	OPEN CAP
ITEM DESCRIPTION	

SHAFT Ø	A	T	Ta	U	V	ITEM DESCRIPTION	ITEM DESCRIPTION	ITEM DESCRIPTION	ITEM DESCRIPTION		
20	46	35	10	49,5	51,5	UCFBZ204-20M	UCFBZ204-20M-SS	50013	50013APE	UCFBZ204-20M-CEC	UCFBZ204-20M-OEC
25		35,5	8,5	52,5	54,5	UCFB205-25M	UCFB205-25M-SS	50009	50009APE	UCFB205-25M-CEC	UCFB205-25M-OEC
25	52,4	37,5	10,5	56,5	58,5	UCFBZ205-25M	UCFBZ205-25M-SS	50010	50010APE	UCFBZ205-25M-CEC	UCFBZ205-25M-OEC
30		39	9	56,5	58,5	UCFB206-30M	UCFB206-30M-SS			UCFB206-30M-CEC	UCFB206-30M-OEC

#### VERSION WITH ECCENTRIC RING



#### STANDARD VERSION

#### WASH DOWN RESISTANT VERSION

BEARINGS CHROME STEEL	SEPARATE CLOSED SAFETY CAP PART NO.	SEPARATE OPEN SAFETY CAP PART NO.
ITEM DESCRIPTION		

BEARINGS CHROME STEEL	
CLOSED CAP	OPEN CAP
ITEM DESCRIPTION	

#### COMPONENTS

Housing in reinforced polyamide. Seals in NBR rubber. High precision self-aligning ball bearings in chrome- or stainless steel, pre-lubricated. Grease nipples and spacers from nickel plated brass. Washers (where used) in AISI 304 (DIN 1.4301). Safety cap in polypropylene. (When fitted with a stainless steel bearing, the grease nipple is in stainless steel).

SHAFT Ø	A	T	Ta	U	V	ITEM DESCRIPTION	ITEM DESCRIPTION	ITEM DESCRIPTION	ITEM DESCRIPTION	
20	46	40,9	10	49,5	51,5	UCFBZ204-20ME	50013	50013APE	UCFBZ204-20ME-CEC	UCFBZ204-20ME-OEC
25		39,4	8,5	52,5	54,5	UCFB205-25ME	50009	50009APE	UCFB205-25ME-CEC	UCFB205-25ME-OEC
25	52,4	41,4	10,5	56,5	58,5	UCFBZ205-25ME	50010	50010APE	UCFBZ205-25ME-CEC	UCFBZ205-25ME-OEC
30		44,7	9	56,5	58,5	UCFB206-30ME			UCFB206-30ME-CEC	UCFB206-30ME-OEC

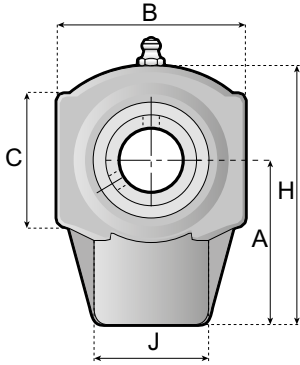
Chains & sprockets	Wear strips	Side guide brackets & accessories	Levelers	Engineering manual
Modular belts & sprockets	Chain & belt return systems	Frame & structure supports	<b>Bearing supports</b>	
Curves & tracks	Side guide solutions	Miscellaneous products	Equipment	



## 56150a

## HANGER BEARING UCHE

www.SystemPlastSmartGuide.com



A	B	C	F	H	J	K	L	Z	WEIGHT KG(IND.)
62	65	50	25	97,5	45	M16	17	34	0,38
62	70	50	25	97,5	45	M20	17	34	0,38
72	85	57	28	118	56	M24	18,5	37	0,5
72	90	57	28	118	56	M24	18,5	37	0,5

### TECHNICAL INFORMATION

- Good resistance against many corrosive chemicals such as water, oils, greases, petrol, milk, wine, alcoholic beverages.
- Available in chrome steel and stainless steel suitable for food, beverage and pharmaceutical industry).
- Housings also available as complete sealed units for improved protection (wash down resistant version).
- Max. mis-alignment between shaft and housing: 2.5°

### VERSION WITH GRUB SCREWS

Grub screws															
STANDARD VERSION								WASH DOWN RESISTANT VERSION							
BEARINGS				SEPARATE CLOSED SAFETY CAP PART NO.				SEPARATE OPEN SAFETY CAP PART NO.							
CHROME STEEL				STAINLESS STEEL				BEARINGS CHROME STEEL							
								CLOSED CAP				OPEN CAP			
ITEM DESCRIPTION															
SHAFT Ø	A	T	Ta	U	V	ITEM DESCRIPTION	ITEM DESCRIPTION	50009	50009APE	ITEM DESCRIPTION	ITEM DESCRIPTION				
20	62	35	10,0	44,5	54,5	UCHEZ204-20M	UCHEZ204-20M-SS	50009	50009APE	UCHEZ204-20M-CEC	UCHEZ204-20M-OEC				
25	62	36,5	9,5	44,5	54,5	UCHE205-25M	UCHE205-25M-SS	50009	50009APE	UCHE205-25M-CEC	UCHE205-25M-OEC				
30	72	40,5	10,5	51,5	61,5	UCHE206-30M	UCHE206-30M-SS	50010	50010APE	UCHE206-30M-CEC	UCHE206-30M-OEC				
35	72	42	10,0	51,5	61,5	UCHEX207-35M	UCHEX207-35M-SS	50010	50010APE	UCHEX207-35M-CEC	UCHEX207-35M-OEC				

### VERSION WITH ECCENTRIC RING

### COMPONENTS

Housing in reinforced polyamide. Seals in NBR rubber. High precision self-aligning ball bearings in chrome- or stainless steel, pre-lubricated. Grease nipples and spacers from nickel plated brass. Washers (where used) in AISI 304 (DIN 1.4301). Safety cap in polypropylene. (When fitted with a stainless steel bearing, the grease nipple is in stainless steel).

Eccentric ring															
STANDARD VERSION								WASH DOWN RESISTANT VERSION							
BEARINGS CHROME STEEL				SEPARATE CLOSED SAFETY CAP PART NO.				SEPARATE OPEN SAFETY CAP PART NO.							
								BEARINGS CHROME STEEL							
								CLOSED CAP				OPEN CAP			
ITEM DESCRIPTION															
SHAFT Ø	A	T	Ta	U	V	ITEM DESCRIPTION	ITEM DESCRIPTION	50009	50009APE	ITEM DESCRIPTION	ITEM DESCRIPTION				
20	62	40,9	10	44,5	54,5	UCHEZ204-20ME	UCHEZ204-20ME-SS	50009	50009APE	UCHEZ204-20ME-CEC	UCHEZ204-20ME-OEC				
25	62	40,4	9,5	44,5	54,5	UCHE205-25ME	UCHE205-25ME-SS	50009	50009APE	UCHE205-25ME-CEC	UCHE205-25ME-OEC				
30	72	46,2	10,5	51,5	61,5	UCHE206-30ME	UCHE206-30ME-SS	50010	50010APE	UCHE206-30ME-CEC	UCHE206-30ME-OEC				
35	72	48,9	10	51,5	61,5	UCHEX207-35ME	UCHEX207-35ME-SS	50010	50010APE	UCHEX207-35ME-CEC	UCHEX207-35ME-OEC				

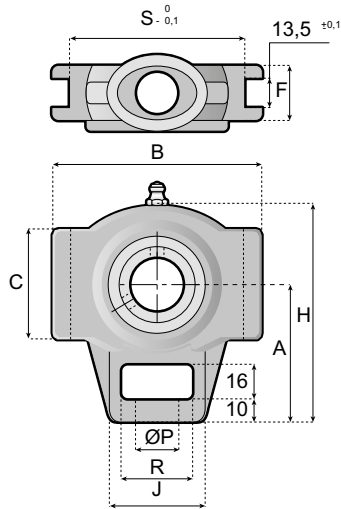
Chains & sprockets	Wear strips	Side guide brackets & accessories	Levelers	Engineering manual
Modular belts & sprockets	Chain & belt return systems	Frame & structure supports	<b>Bearing supports</b>	
Curves & tracks	Side guide solutions	Miscellaneous products	Equipment	



## 56160a

### TAKE UP BEARING UCT

www.SystemPlastSmartGuide.com



A	B	C	F	H	J	ØP	R	S	Z	WEIGHT KG(IND.)
62	92	50	25	97,5	45	19	32	76	34	0,38
72	104	57	28	118	56	22	37	89	37	0,5

#### TECHNICAL INFORMATION

- Good resistance against many corrosive chemicals such as water, oils, greases, petrol, milk, wine, alcoholic beverages.
- Available in chrome steel and stainless steel (suitable for food, beverage and pharmaceutical industry).
- Housings also available as complete sealed units for improved protection (wash down resistant version).
- Max. misalignment between shaft and housing: 2.5°

#### VERSION WITH GRUB SCREWS

SHAFT Ø	A	T	Ta	U	V	ITEM DESCRIPTION		SEPARATE CLOSED SAFETY CAP PART NO.	SEPARATE OPEN SAFETY CAP PART NO.	ITEM DESCRIPTION	
						CHROME STEEL	STAINLESS STEEL			CLOSED CAP	OPEN CAP
20	62	35	5,0	44,5	54,5	UCTZ204-20M	UCTZ204-20M-SS	50009	50009APE	UCTZ204-20M-CEC	UCTZ204-20M-OEC
25		36,5	11,3	44,5	54,5	UCT205-25M	UCT205-25M-SS			UCT205-25M-CEC	UCT205-25M-OEC
30	72	40,5	6,5	51,5	61,5	UCT206-30M	UCT206-30M-SS	50010	50010APE	UCT206-30M-CEC	UCT206-30M-OEC
35		42	13,7	51,5	61,5	UCTX207-35M	UCTX207-35M-SS			UCTX207-35M-CEC	UCTX207-35M-OEC

#### COMPONENTS

Housing in reinforced polyamide. Seals in NBR rubber. High precision self-aligning ball bearings in chrome- or stainless steel, pre-lubricated. Grease nipples and spacers from nickel plated brass. Washers (where used) in AISI 304 (DIN 1.4301). Safety cap in polypropylene. (When fitted with a stainless steel bearing, the grease nipple is in stainless steel).

#### VERSION WITH ECCENTRIC RING

SHAFT Ø	A	T	Ta	U	V	ITEM DESCRIPTION		SEPARATE CLOSED SAFETY CAP PART NO.	SEPARATE OPEN SAFETY CAP PART NO.	ITEM DESCRIPTION	
						CHROME STEEL	STAINLESS STEEL			CLOSED CAP	OPEN CAP
20	62	40,9	10	44,5	54,5	UCTZ204-20ME		50009	50009APE	UCTZ204-20ME-CEC	UCTZ204-20ME-OEC
25		40,4	9,5	44,5	54,5	UCT205-25ME				UCT205-25ME-CEC	UCT205-25ME-OEC
30	72	46,2	10,5	51,5	61,5	UCT206-30ME		50010	50010APE	UCT206-30ME-CEC	UCT206-30ME-OEC
35		48,9	10	51,5	61,5	UCTX207-35ME				UCTX207-35ME-CEC	UCTX207-35ME-OEC

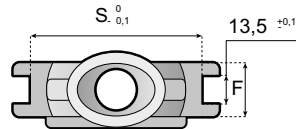
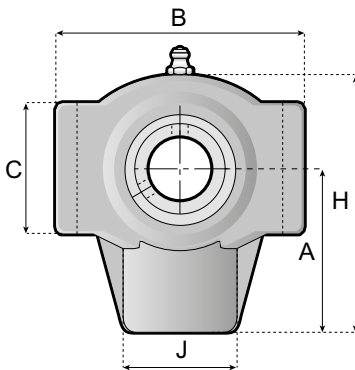
Chains & sprockets	Wear strips	Side guide brackets & accessories	Levelers	Engineering manual
Modular belts & sprockets	Chain & belt return systems	Frame & structure supports	<b>Bearing supports</b>	
Curves & tracks	Side guide solutions	Miscellaneous products	Equipment	



## 56170a

### HANGER BEARING UCTT

www.SystemPlastSmartGuide.com



A	B	C	F	H	J	K	L	S	Z	WEIGHT KG(IND.)
62	92	50	25	97,5	45	M20	17	76	34	0,38
72	104	57	28	118	56	M24	18,5	89	37	0,5

#### TECHNICAL INFORMATION

- Good resistance against many corrosive chemicals such as water, oils, greases, petrol, milk, wine, alcoholic beverages.
- Available in chrome steel and stainless steel (suitable for food, beverage and pharmaceutical industry).
- Housings also available as complete sealed units for improved protection (wash down resistant version).
- Max. mis-alignment between shaft and housing: 2.5°

#### VERSION WITH GRUB SCREWS

SHAFT Ø	A	T	Ta	K	U	V	ITEM DESCRIPTION		SEPARATE CLOSED SAFETY CAP PART NO.	SEPARATE OPEN SAFETY CAP PART NO.	ITEM DESCRIPTION	
							CHROME STEEL	STAINLESS STEEL			CLOSED CAP	OPEN CAP
20	62	35	10,0	M16	44,5	54,5	UCTTZ204-20M	UCTTZ204-20M-SS	50009	50009APE	UCTTZ204-20M-CEC	UCTTZ204-20M-OEC
		25	36,5	9,5	M20	44,5	54,5	UCTT205-25M			UCTT205-25M-SS	UCTT205-25M-CEC
30	72	40,5	10,5	M24	51,5	61,5	UCTT206-30M	UCTT206-30M-SS	50010	50010APE	UCTT206-30M-CEC	UCTT206-30M-OEC
		35	42	10,0	M24	51,5	61,5	UCTTX207-35M			UCTTX207-35M-SS	UCTTX207-35M-CEC

#### COMPONENTS

Housing in reinforced polyamide. Seals in NBR rubber. High precision self-aligning ball bearings in chrome- or stainless steel, pre-lubricated. Grease nipples and spacers from nickel plated brass. Washers (where used) in AISI 304 (DIN 1.4301). Safety cap in polypropylene. (When fitted with a stainless steel bearing, the grease nipple is in stainless steel).

#### VERSION WITH ECCENTRIC RING

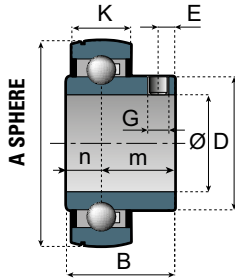
SHAFT Ø	A	T	Ta	K	U	V	ITEM DESCRIPTION		SEPARATE CLOSED SAFETY CAP PART NO.	SEPARATE OPEN SAFETY CAP PART NO.	ITEM DESCRIPTION	
							CHROME STEEL	STAINLESS STEEL			CLOSED CAP	OPEN CAP
20	62	40,9	10	M16	44,5	54,5	UCTTZ204-20ME		50009	50009APE	UCTTZ204-20ME-CEC	UCTTZ204-20ME-OEC
		25	40,4	9,5	M20	44,5	54,5	UCTT205-25ME				UCTT205-25ME-CEC
30	72	46,2	10,5	M24	51,5	61,5	UCTT206-30ME		50010	50010APE	UCTT206-30ME-CEC	UCTT206-30ME-OEC
		35	48,9	10	M24	51,5	61,5	UCTTX207-35ME				UCTTX207-35ME-CEC

Chains & sprockets	Wear strips	Side guide brackets & accessories	Levelers	Engineering manual
Modular belts & sprockets	Chain & belt return systems	Frame & structure supports	<b>Bearing supports</b>	
Curves & tracks	Side guide solutions	Miscellaneous products	Equipment	

## 56300a

## BALL BEARINGS

www.SystemPlastSmartGuide.com

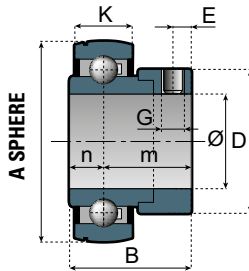


### STANDARD VERSION WITH GRUB SCREWS

Ø D mm	PART NUMBER	DIMENSION (mm)								BEARING LOAD RATINGS		WEIGHT (KG)
		A	B	K	D	E	G	M	N	DYNAMIC C (N)	STATIC CO (N)	
12	UC201	40	22	12	24,6	4	M5	16	6	7300	4760	0,15
15	UC202	40	22	12	24,6	4	M5	16	6	7300	4760	0,15
16	UC203-16MM	40	22	12	24,6	4	M5	16	6	7300	4760	0,15
17	UC203	40	22	12	24,6	4	M5	16	6	7300	4760	0,15
20	UC204	47	25	14	29	5	M6	18	7	9850	6580	0,18
25	UC205	52	27	15	34	5,5	M6	19,5	7,5	10800	7800	0,22
30	UC206	62	30	16	40,3	6	M6	22	8	15000	11300	0,40
35	UC207	72	32	17	48	6,5	M8	23,5	8,5	19700	15300	0,45
40	UC208	80	34	18	53	7	M8	25	9	22400	17900	0,62

#### MATERIAL

- Rings and balls in chrome steel.
- Grub screws and protection rings are in steel.
- Seals in metal with vulcanised NBR rubber.

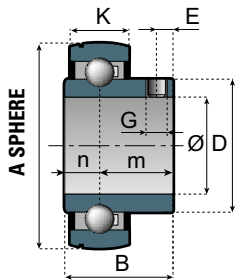


### STANDARD VERSION WITH ECCENTRIC LOCK RING

Ø D mm	PART NUMBER	DIMENSION (mm)								BEARING LOAD RATINGS		WEIGHT (KG)
		A	B	K	D	E	G	M	N	DYNAMIC C (N)	STATIC CO (N)	
20	UEC204	47	31	14	33,3	5	M6	23,5	7,5	9850	6580	0,25
25	UEC205	52	31	15	38,1	5	M6	23,5	7,5	10800	7800	0,30
30	UEC206	62	35,7	16	44,5	6	M6	26,7	9	15000	11300	0,48
35	UEC207	72	38,9	17	55,6	6,5	M8	29,4	9,5	19700	15300	0,53
40	UEC208	80	43,7	18	60,3	6,5	M8	32,7	11	22400	17900	0,70

#### MATERIAL

- Rings and balls in chrome steel.
- Grub screws and protection rings are in steel.
- Seals in metal with vulcanised NBR rubber.



### STAINLESS STEEL VERSION WITH GRUB SCREWS

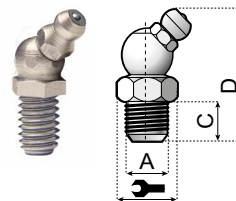
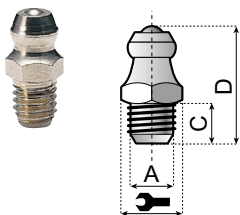
Ø D mm	PART NUMBER	DIMENSION (mm)								BEARING LOAD RATINGS		WEIGHT (KG)
		A	B	K	D	E	G	M	N	DYNAMIC C (N)	STATIC CO (N)	
20	UCSS204	47	25,7	14	29	5	M6	18,7	7	7300	4900	0,18
25	UCSS205	52	27	15	34	5,5	M6	19,5	7,5	8100	5800	0,22
30	UCSS206	62	30	16	40,3	6	M6	22	8	11250	8400	0,40
35	UCSS207	72	32	17	48	6,5	M8	23,5	8,5	14700	11400	0,45
40	UCSS208	80	34	18	53	7	M8	25	9	16800	13400	0,62

#### MATERIAL

- Rings and balls in stainless steel with Cr+Mo to increase corrosion resistance.
- Grub screws and protection rings are in stainless steel.
- Seals in stainless steel with vulcanized silicon rubber.

**USE:** Where a high resistance to corrosion is required.

## GREASE NIPPLES



A	C	D	NICKEL PLATED BRASS	STAINLESS STEEL AISI 304
			ITEM DESCRIPTION	
M6	7	5,5	GNP-NPB-M6-55	-
M6	7	6	-	GNP-SS-M6-60
M6	7	8,5	-	GNP-SS-M6-85
1/8" gas	11	6	GNP-NPB-18-60	GNP-SS-18-60

### GREASE NIPPLE 45°

A	C	D	NICKEL PLATED BRASS	STAINLESS STEEL AISI 304
			ITEM DESCRIPTION	
M6	9	8,5	-	GNP45-SS-M6-85
1/8" gas	11	5,5	GNP45-NPB-55	-

Chains & sprockets	Wear strips	Side guide brackets & accessories	Levelers	Engineering manual
Modular belts & sprockets	Chain & belt return systems	Frame & structure supports	<b>Bearing supports</b>	
Curves & tracks	Side guide solutions	Miscellaneous products	Equipment	

## 56300b

## LOOSE SAFETY CAPS

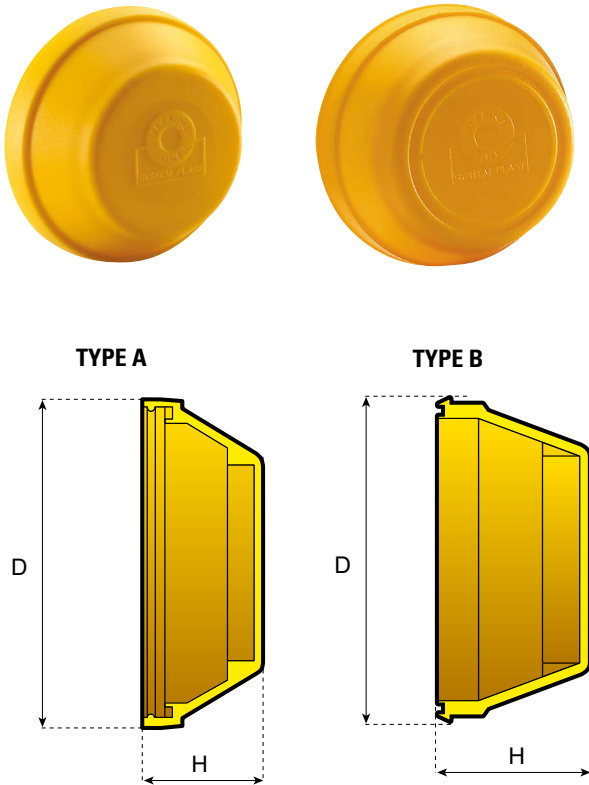
[www.SystemPlastSmartGuide.com](http://www.SystemPlastSmartGuide.com)



Clip-on safety cap

### COLOUR

- Safety cap in yellow polypropylene.
- For sufficient quantities parts can be produced in different colors or in transparent.

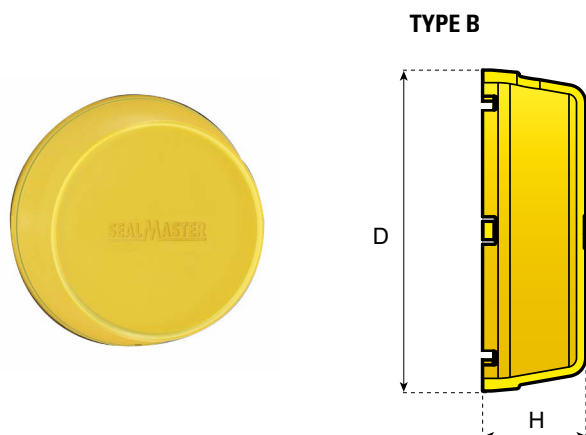


OPEN VERSION	CLOSED VERSION	TYPE	D	H
ITEM DESCRIPTION				
50001APE	50001	A	80	29,5
50002APE	50002	A	96	40
50003AAPE	50003A	A	71	34,5
50004APE	50004	A	87,5	40,5
50007APE	50007	A	62	30
50008APE	50008	A	56	29,5
50009APE	50009	B	60	28
50010APE	50010	B	78	32
50011APE	50011	A	69	32
50012APE	50012	B	51,5	19,5
50013APE	50013	B	58,5	28
50014APE	50014	B	84	30
50027APE	50027	A	67,5	32

Clip-on safety cap for Sealmaster® Triathlon® bearing.

### COLOUR

- Safety cap in polypropylene (transparent-yellow).



OPEN VERSION	CLOSED VERSION	TYPE	D	H
ITEM DESCRIPTION				
CAP7023-B30M-P-YT-SE	CAP7023-P-YT-SE	B	70	23
CAP8437-B40M-P-YT-SE	CAP8437-P-YT-SE	B	84	37