

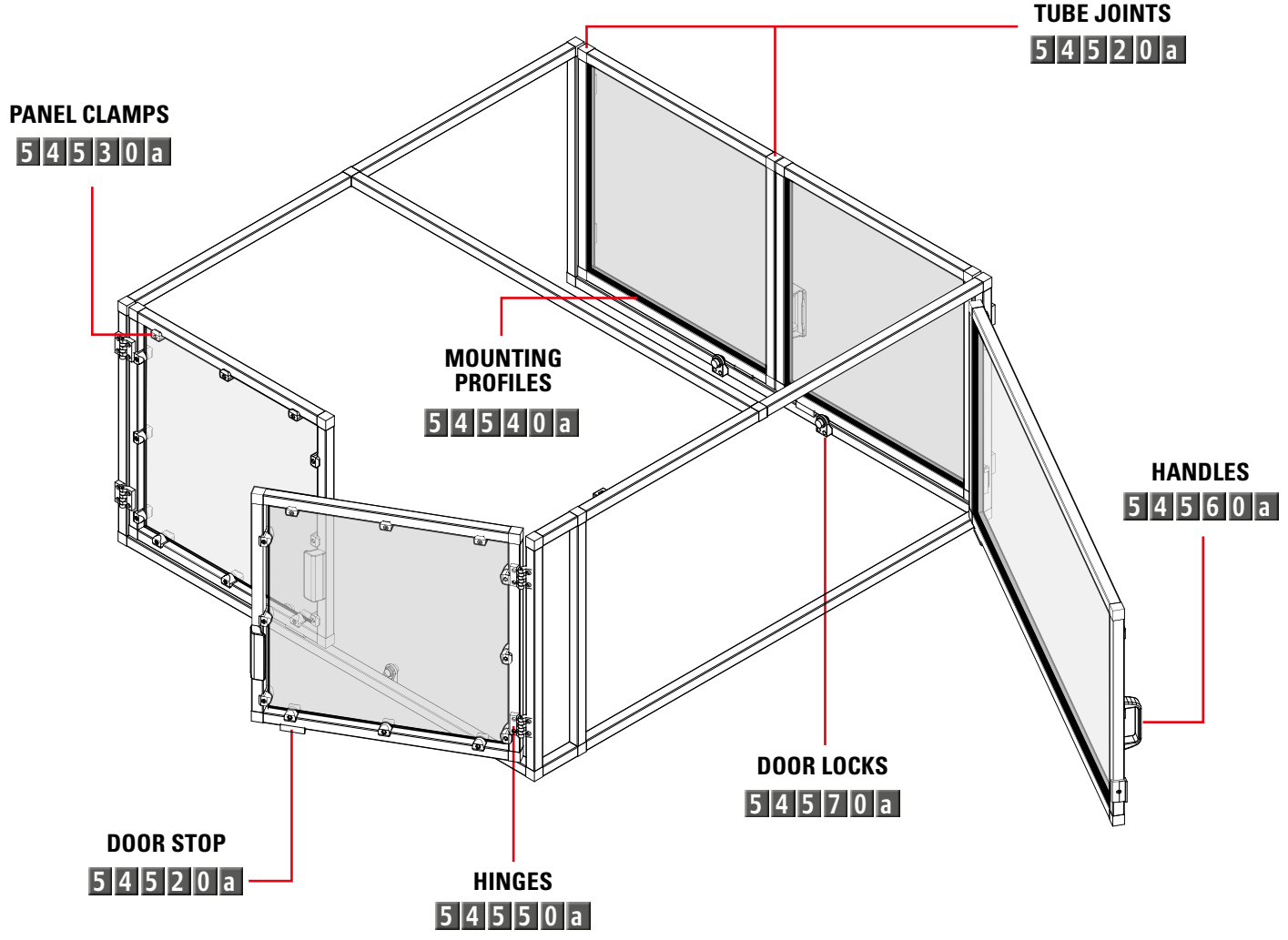
Chains & sprockets	Wear strips	Side guide brackets & accessories	Levelers	Engineering manual
Modular belts & sprockets	Chain & belt return systems	Frame & structure supports	Bearing supports	
Curves & tracks	Side guide solutions	Miscellaneous products	Equipment	

5 4 5 1 0 a

MISCELLANEOUS PRODUCTS

www.SystemPlastSmartGuide.com

MACHINE GUARDING



MISCELLANEOUS COMPONENTS

END PLUGS
5 4 5 3 0 a

KNOBES
5 4 6 0 0 a
5 4 6 1 0 a

RATCHET HANDLES
5 4 6 2 0 a

SHAFT COLLAR
5 4 6 3 0 a



Information about this product is only available on our Smart Guide® website.

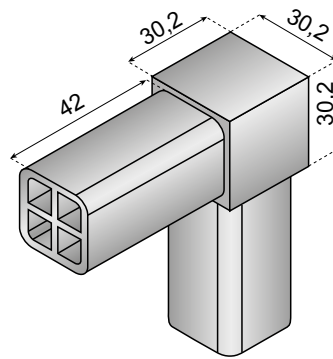
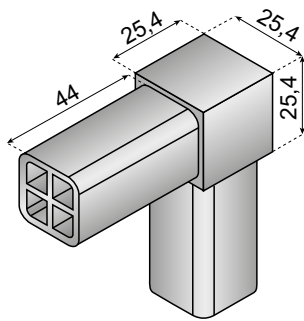
Chains & sprockets	Wear strips	Side guide brackets & accessories	Levelers	Engineering manual
Modular belts & sprockets	Chain & belt return systems	Frame & structure supports	Bearing supports	
Curves & tracks	Side guide solutions	Miscellaneous products	Equipment	



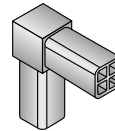
54520a

TUBE JOINTS

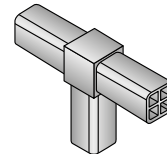
www.SystemPlastSmartGuide.com



FOR TUBES
25 X 25 X 1,5 mm - 30 X 30 X 2 mm



TYPE: L



TYPE: T

Application:
joints can be used with square Tubes 25x25x1,5 mm.

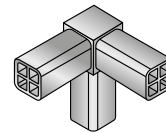
Application:
joints can be used with square Tubes 30x30x2 mm.

PA-FG BLACK	ITEM DESCRIPTION TUBE
TYPE	25X25X1,5
L	CJ-L-25M-PAB
T	CJ-T-25M-PAB
C	CJ-C-25M-PAB
TC	CJ-TC-25M-PAB
V	CJ-V-25M-PAB

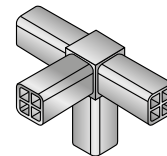
Material: Polyamide black

PA-FG BLACK	ITEM DESCRIPTION TUBE
TYPE	30X30X2
L	CJ-L-30M-PAB
T	CJ-T-30M-PAB
C	CJ-C-30M-PAB
TC	CJ-TC-30M-PAB
V	CJ-V-30M-PAB

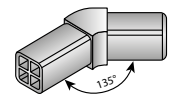
Material: Polyamide black



TYPE: C

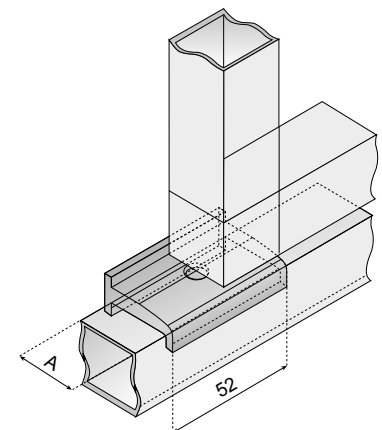
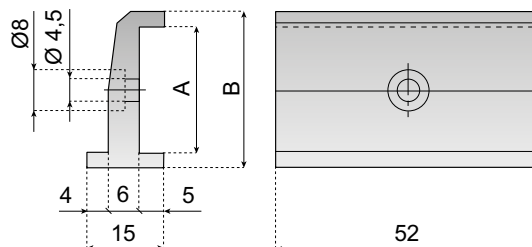
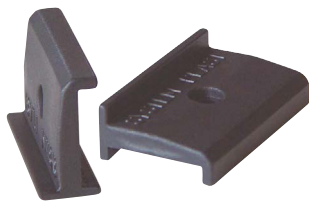


TYPE: TC



TYPE: V

DOOR STOP



DOOR STOP

Application: door stop is normally used in order to support and position doors or windows of machine guards.

PA-FG BLACK	A	B	ITEM DESCRIPTION	
	25	31	DS-25M52	100
	30	36	DS-30M52	

Chains & sprockets	Wear strips	Side guide brackets & accessories	Levelers	Engineering manual
Modular belts & sprockets	Chain & belt return systems	Frame & structure supports	Bearing supports	
Curves & tracks	Side guide solutions	Miscellaneous products	Equipment	

5 4 5 3 0 a

PANEL CLAMPS

www.SystemPlastSmartGuide.com

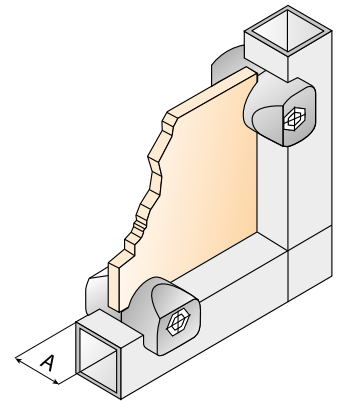
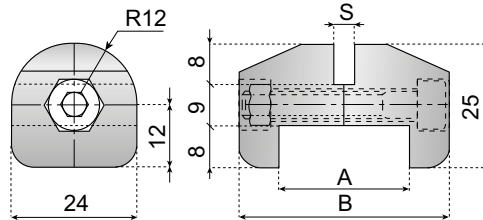


PANEL CLAMPS

Material: reinforced polyamide with stainless steel bolt.

Application: panel clamp permits rapid installation of panels.

Supply: assembled.



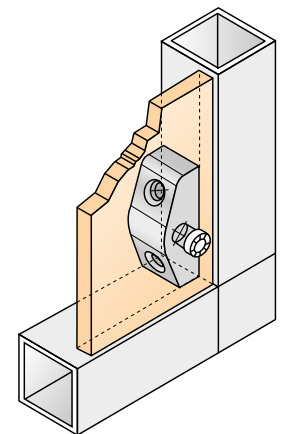
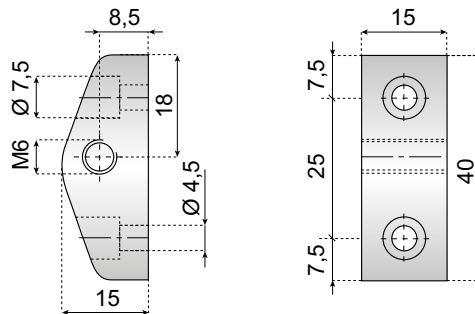
PA-FG BLACK			S - PANEL THICKNESS				
			1.5 mm	4 mm	5 mm	6 mm	
TUBE	A	B	ITEM DESCRIPTION				
25x25	25	40	PC-25T15-PAB	PC-25T40-PAB	PC-25T50-PAB	PC-25T60-PAB	50
30x30	30	45	-	PC-30T40-PAB	PC-30T50-PAB	PC-30T60-PAB	



FIXING BLOCK

Application: block permits rapid installation of the panels and can be used with panels of different thickness.

Supply: without screws.

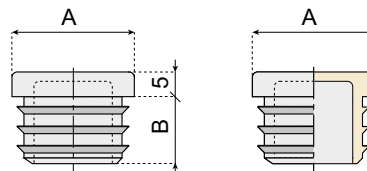


PA-FG BLACK	ITEM DESCRIPTION	
	PMB-40M6-PAB	10

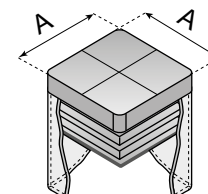
END PLUGS



Application: square Tubes, dimensions: 25x25x1,5 mm or 25x25x1,2 mm; 30x30x2 mm; 50x50x2,5 mm.



A	B	ITEM DESCRIPTION	
25	13,5	CAP-25M-PAB	100
30	14	CAP-30M-PAB	
50	15	CAP-50M-PAB	



Chains & sprockets	Wear strips	Side guide brackets & accessories	Levelers	Engineering manual
Modular belts & sprockets	Chain & belt return systems	Frame & structure supports	Bearing supports	
Curves & tracks	Side guide solutions	Miscellaneous products	Equipment	



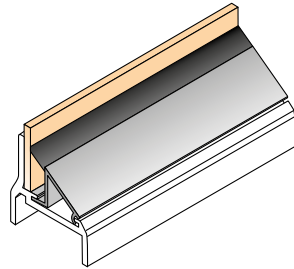
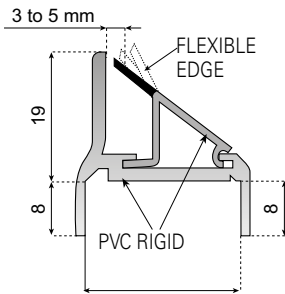
5 4 5 4 0 a

PANEL MOUNTING PROFILES

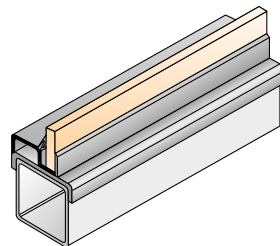
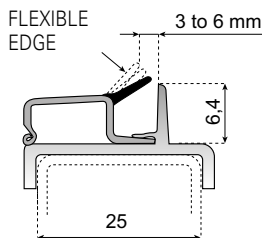
www.SystemPlastSmartGuide.com

Material: rigid - flexible PVC.

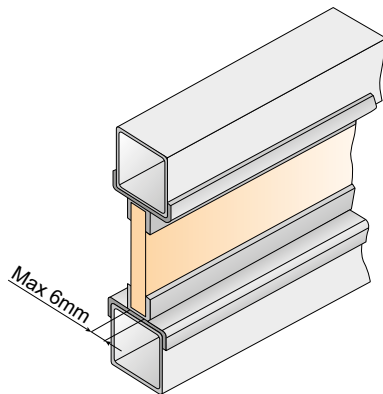
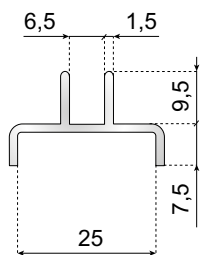
Application: this profile can be used with plain Tubes 25x25 mm in different materials. If used for the mounting of panels and windows it offers the possibility to remove the panels without disassembling the complete structure, thanks to the special profile in PVC, partially rigid and partially flexible.



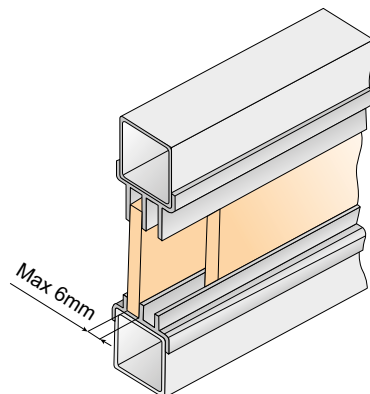
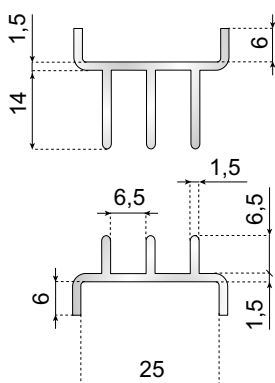
MATERIAL PVC		
ITEM DESCRIPTION		
GP-25S-PVCB-2500	2,5 m	10



MATERIAL PVC		
ITEM DESCRIPTION		
GP-L25S-PVCB-2500	2,5 m	10



Item description		
SF-CD1-6M-PVCB-2000	2 m	10



PROFILE FOR SLIDING PANELS

Application: this profile can be used with square Tubes 25x25 mm. It is used for small sliding windows.

***Supply:** 2 m lengths (1 upper and 1 lower profile).

ITEM DESCRIPTION		
SF-SPS-6M-PVCB-2500	2 m*	10

Chains & sprockets	Wear strips	Side guide brackets & accessories	Levelers	Engineering manual
Modular belts & sprockets	Chain & belt return systems	Frame & structure supports	Bearing supports	
Curves & tracks	Side guide solutions	Miscellaneous products	Equipment	

54550a

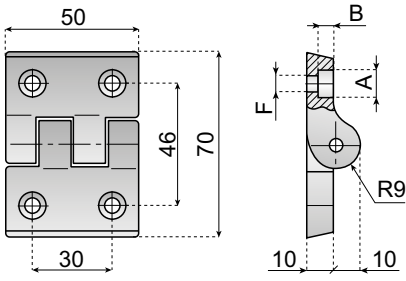
HINGES

www.SystemPlastSmartGuide.com



HINGE

Material: reinforced polyamide, pin in stainless steel AISI 430.
Note: door can be opened up to 180°.
Supply: assembled.

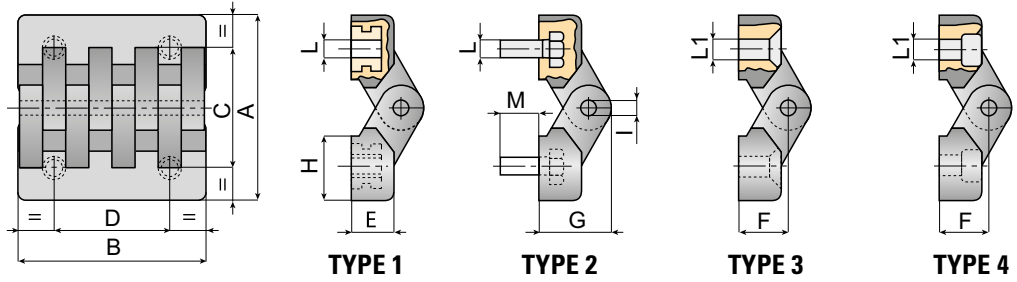


F	A	B	ITEM DESCRIPTION	
6,5	10,5	6	VG-633-M6	50
8,5	13,5	4	VG-633-M8	



HINGE

Material: reinforced polyamide, pin and screw in stainless steel AISI 430, threaded insert in brass.
Notes: door can be opened up to 180°.
Supply: assembled.



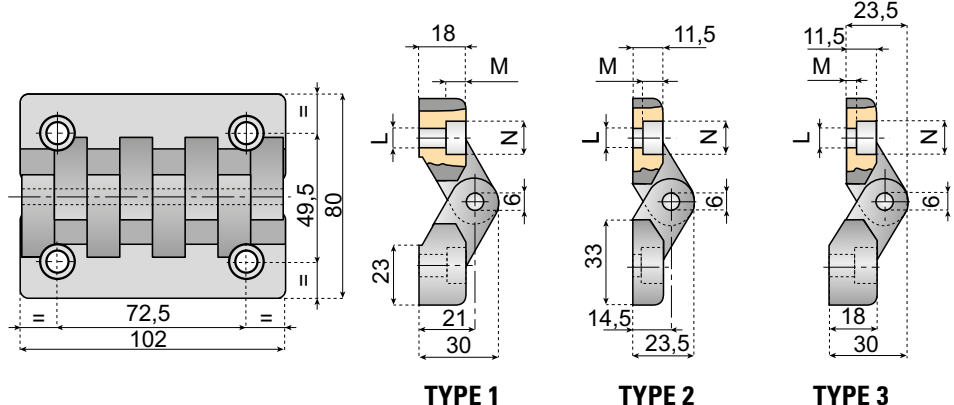
A	B	C	D	E	F	G	H	I	L	L1	M	ITEM DESCRIPTION				
												TYPE 1	TYPE 2	TYPE 3	TYPE 4	
39	40	25	25	10	10.5	15	14	3	M5	4,2 5,5	-	HNG-40M5-PAB ^{MOQ}	-	HNG-40R4C-PAB ^{MOQ}	HNG-40R4-PAB ^{MOQ}	50
												-	-	HNG-40R5-PAB ^{MOQ}		
49	49	31	30	11	13	19	17	4	M5 M6	5,5	14	HNG-49M5-PAB	HNG-49M514-PAB	HNG-49R5C-PAB	HNG-49R5-PAB	
												HNG-49M6-PAB	-	-	-	
64	65	40	40	13.5	15	23	24	5	M5 M6 M8	6,5	17	HNG-65M5-PAB ^{MOQ}	-	-	-	
												HNG-65M6-PAB	HNG-65M617-PAB ^{MOQ}	HNG-65R6C-PAB	HNG-65R6-PAB	
												HNG-65M8-PAB ^{MOQ}	-	-	-	

MOQ Min. order quantity: 200 pcs.



HINGE

Material: reinforced polyamide, pin in stainless steel AISI 430.
Notes: door can be opened up to 180°.
Supply: assembled.



L	M	N	ITEM DESCRIPTION			
			TYPE 1	TYPE 2	TYPE 3	
6,5	6	10,5	VG-634-BB	VG-634-AA	VG-634-AB	50
8,5	8	13,5	VG-634-DD	VG-634-CC	VG-634-CD	

Chains & sprockets	Wear strips	Side guide brackets & accessories	Levelers	Engineering manual
Modular belts & sprockets	Chain & belt return systems	Frame & structure supports	Bearing supports	
Curves & tracks	Side guide solutions	Miscellaneous products	Equipment	

5 4 5 6 0 a

DOOR HANDLES

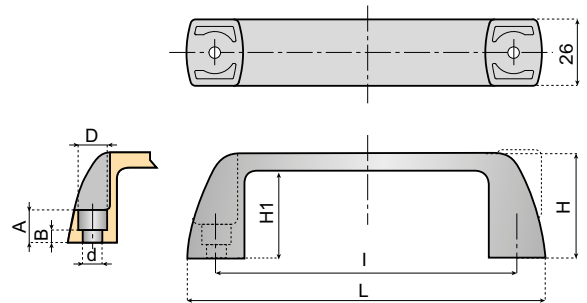
www.SystemPlastSmartGuide.com



HANDLE

Material: reinforced polyamide.

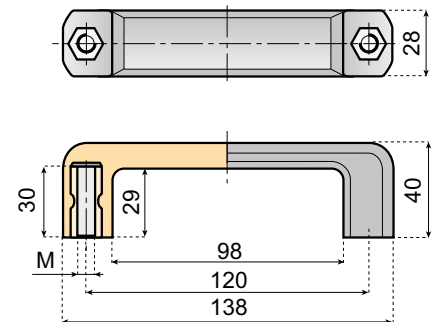
I	L	C	H	H1	A	B	D	D	ITEM DESCRIPTION	
93,5	112	21	36	30	13	6	10,5	6,5	HDL-94-R6-PAB	50
117	139	26	41	34	15	8,5	13	8,5	HDL-117-R6-PAB	
120						6			HDL-117-R8-PAB	
					10	4	10,5	6,5	HDL-120-R6-PAB	



HANDLE

Material: polyamide, threaded insert in brass.

M	ITEM DESCRIPTION	
M10	HDL-120-M10-PAB	50

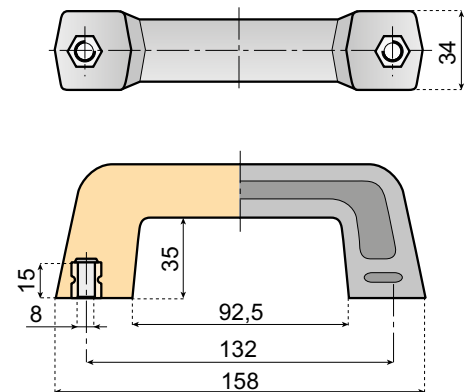


HANDLE

Material: reinforced polyamide, threaded insert in brass.

ITEM DESCRIPTION	
VG-632-M8-PAB ^{MOQ}	50

MOQ Min. order quantity: 200 pcs.

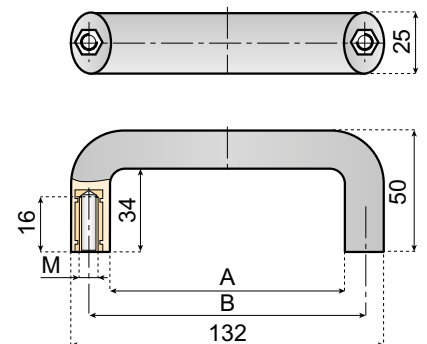


HANDLE

Material: polyamide, threaded insert in brass.

M	A	B	ITEM DESCRIPTION	
M6	100	120	HDL-120-M6-PAB	50
	99	117	HDL-117-M6-PAB ^{MOQ}	
M8	100	120	HDL-120-M8-PAB	
	99	117	HDL-117-M8-PAB ^{MOQ}	

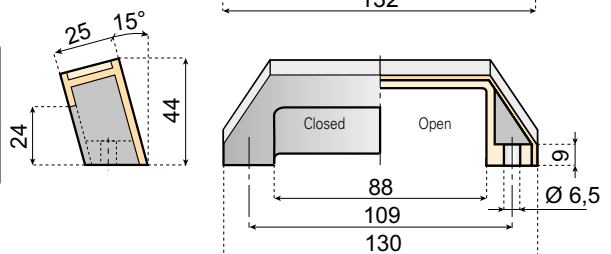
MOQ Min. order quantity: 200 pcs.



SAFETY HANDLE WITH COVER

TYPE	ITEM DESCRIPTION	
closed	FT-HDL-1-PAB ^{MOQ}	50
open	FT-HDL-1C-PAB ^{MOQ}	

MOQ Min. order quantity: 200 pcs.



Chains & sprockets	Wear strips	Side guide brackets & accessories	Levelers	Engineering manual
Modular belts & sprockets	Chain & belt return systems	Frame & structure supports	Bearing supports	
Curves & tracks	Side guide solutions	Miscellaneous products	Equipment	

5 4 5 7 0 a

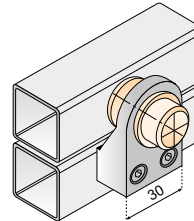
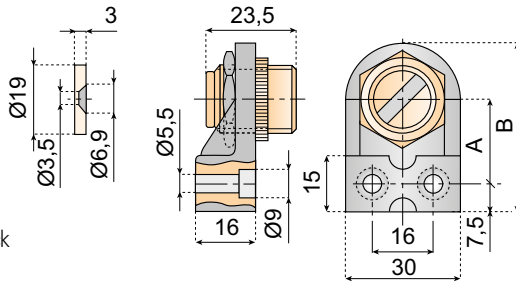
DOOR LOCKS

www.SystemPlastSmartGuide.com

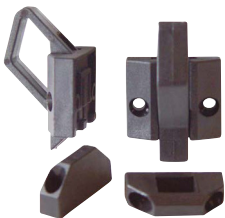


MAGNETIC LOCK

Application: the magnetic lock guarantees rapid door locking. It is easy to install and can be used with various structures in different materials.

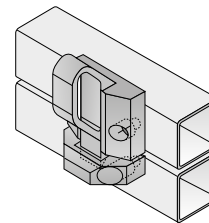
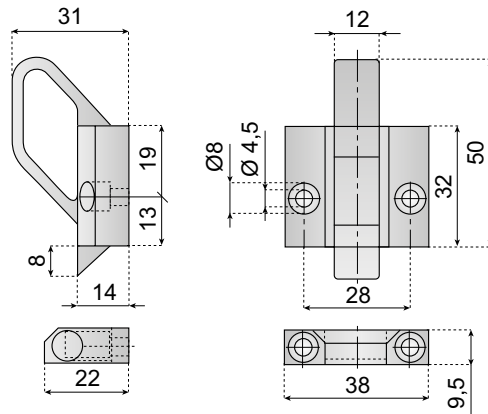


A	B	ITEM DESCRIPTION	
22,5	45	FT-MAG-45-R5	100
37	59,5	FT-MAG-60-R5	



SPRING LOADED LATCH

Application: the latch guarantees a secure locking of doors and windows, and prevents the possibility of accidental opening.



ITEM DESCRIPTION	
FT-LOCK32-R4	100

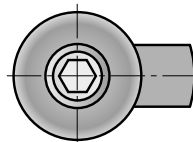
SAFETY DOOR LOCK



Material: body and safety cap in reinforced polyamide, screw, nut and spring in stainless steel AISI 304.

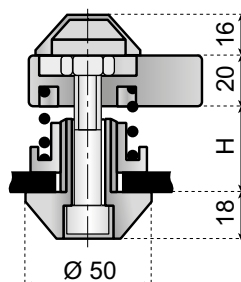
Application instructions (see drawing):

Assembly 1 for situations with dimension K is 30-36 mm.
Assembly 2 for situations with dimension K is 23-28 mm.

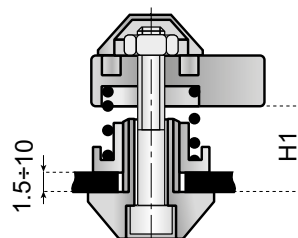


H = 30 ÷ 36 (min. - max)
H1 = 23 ÷ 28 (min. - max)

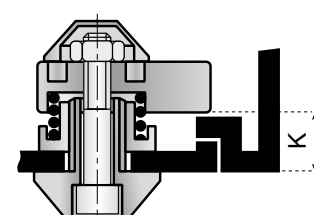
ITEM DESCRIPTION	
FT-LOCK-R24	10



ASSEMBLY N°1



ASSEMBLY N°2



Chains & sprockets	Wear strips	Side guide brackets & accessories	Levelers	Engineering manual
Modular belts & sprockets	Chain & belt return systems	Frame & structure supports	Bearing supports	
Curves & tracks	Side guide solutions	Miscellaneous products	Equipment	

5 4 6 0 0 a

KNOBBS

www.SystemPlastSmartGuide.com

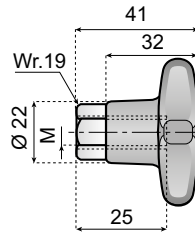
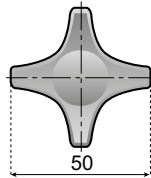
For other knobs go to:

5 4 6 1 0 a



Material: reinforced polyamide with nickel plated brass insert.

Note: max. torque on the knob 3,5 Kgm.

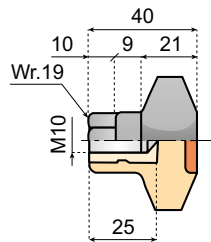
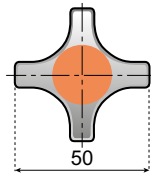


ITEM DESCRIPTION	
M8	M10
KNF-50H41-M8H	KNF-50H41-M10H



Material: reinforced polyamide, insert in nickel plated brass.

Note: max. torque on the knob 2 Kgm.



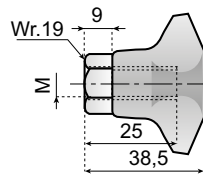
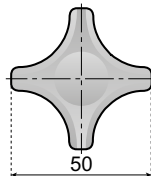
ITEM DESCRIPTION	
M10	
KNF-50H40-M10	



Material: reinforced polyamide, hexagonal insert in nickel plated brass.

Note: max. torque on the knob 2,5 Kgm.

For further tightening work on the hexagon.



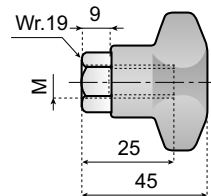
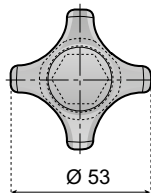
ITEM DESCRIPTION	
M6	M10
KNF-50H39-M6H	KNF-50H39-M10H



Material: reinforced polyamide, hexagonal insert in nickel plated brass.

Note: max. torque on the knob 2,5 Kgm.

For further tightening work on the hexagon.



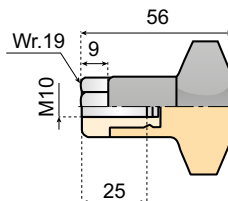
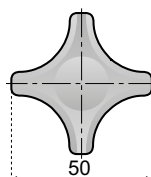
ITEM DESCRIPTION	
M10	
KNF-53H45-M10H	



Material: reinforced polyamide, hexagonal insert in nickel plated brass.

Note: max. torque on the knob 2,5 Kgm.

For further tightening work on the hexagon.



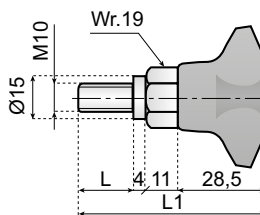
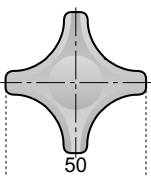
ITEM DESCRIPTION	
M10	
KNF-50H56-M10H	



Material: reinforced polyamide, hexagonal insert in nickel plated brass.

Note: max. torque on the knob 2,5 Kgm.

For further tightening work on the hexagon.



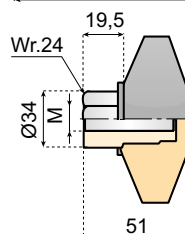
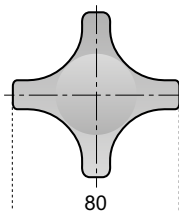
L	L1	ITEM DESCRIPTION
11,5	54	KNM-50H40-M1016H
20	62,5	KNM-50H40-M1024H
25	67,5	KNM-50H40-M1029H



Material: reinforced polyamide, hexagonal insert in nickel plated brass.

Note: max. torque on the knob 2,5 kgm.

For further tightening work on the hexagon.



ITEM DESCRIPTION	
M12	M16
KNF-80H51-M12H	KNF-80H51-M16H

Chains & sprockets	Wear strips	Side guide brackets & accessories	Levelers	Engineering manual
Modular belts & sprockets	Chain & belt return systems	Frame & structure supports	Bearing supports	
Curves & tracks	Side guide solutions	Miscellaneous products	Equipment	

5 4 6 1 0 a

KNOB

www.SystemPlastSmartGuide.com

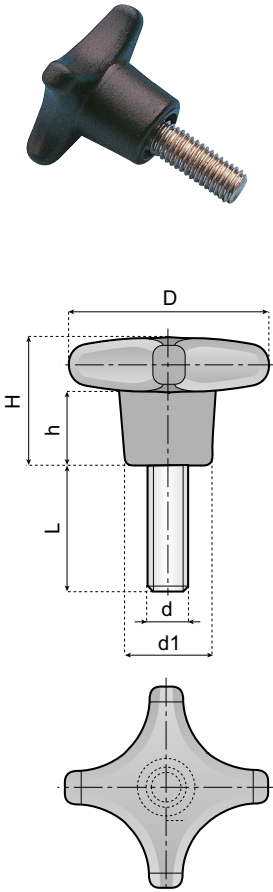
For standard knobs go to: **5 4 6 0 0 a**



STARKNOB MALE

Material: polyamide, threaded insert in stainless steel AISI 304.

Note: starknob DIN 6335.



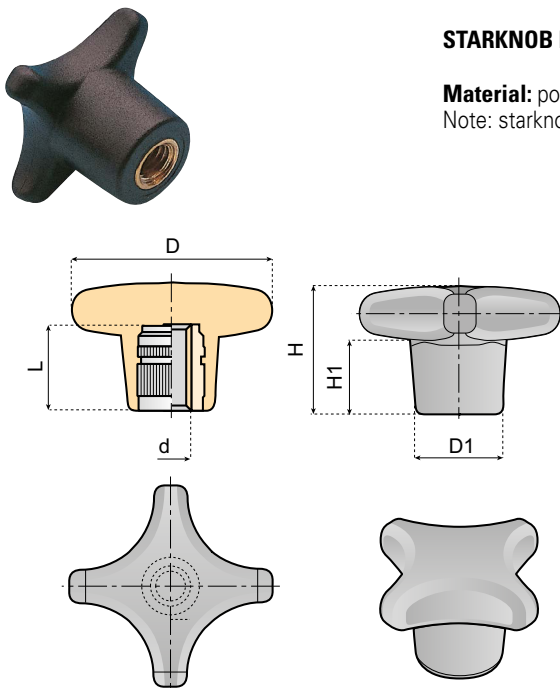
L	H	H	D1	ITEM DESCRIPTION			
				M6	M8	M10	
D=20							
10	13	7	8,5	KNM-20H13-M610 ^{MOQ}	-	-	100
15				KNM-20H13-M615 ^{MOQ}	-	-	
20				KNM-20H13-M620 ^{MOQ}	-	-	
25				KNM-20H13-M625 ^{MOQ}	-	-	
D=25							
10	16	8,5	11,5	KNM-25H16-M610 ^{MOQ}	-	-	100
15				KNM-25H16-M615 ^{MOQ}	-	-	
20				KNM-25H16-M620 ^{MOQ}	-	-	
25				KNM-25H16-M625 ^{MOQ}	-	-	
D=30							
15	20,5	11,5	14	KNM-30H21-M615 ^{MOQ}	KNM-30H21-M815 ^{MOQ}	-	100
20				KNM-30H21-M620 ^{MOQ}	KNM-30H21-M820 ^{MOQ}	-	
25				KNM-30H21-M625 ^{MOQ}	KNM-30H21-M825 ^{MOQ}	-	
30				KNM-30H21-M630 ^{MOQ}	KNM-30H21-M830 ^{MOQ}	-	
D=40							
15	25,5	14,5	17	KNM-40H26-M615 ^{MOQ}	KNM-40H26-M815 ^{MOQ}	KNM-40H26-M1015 ^{MOQ}	100
20				KNM-40H26-M620 ^{MOQ}	KNM-40H26-M820 ^{MOQ}	KNM-40H26-M1020 ^{MOQ}	
25				KNM-40H26-M625 ^{MOQ}	KNM-40H26-M825 ^{MOQ}	KNM-40H26-M1025 ^{MOQ}	
30				KNM-40H26-M630 ^{MOQ}	KNM-40H26-M830 ^{MOQ}	KNM-40H26-M1030 ^{MOQ}	
D=50							
15	32	19	22	KNM-50H32-M615 ^{MOQ}	KNM-50H32-M815 ^{MOQ}	-	100
20				KNM-50H32-M620 ^{MOQ}	KNM-50H32-M820 ^{MOQ}	KNM-50H32-M1020 ^{MOQ}	
25				KNM-50H32-M625 ^{MOQ}	KNM-50H32-M825 ^{MOQ}	KNM-50H32-M1025 ^{MOQ}	
30				KNM-50H32-M630 ^{MOQ}	KNM-50H32-M830 ^{MOQ}	KNM-50H32-M1030 ^{MOQ}	

MOQ Min. order quantity: 500 pcs.

STARKNOB FEMALE

Material: polyamide, bushing in nickel plated brass.

Note: starknob DIN 6335.



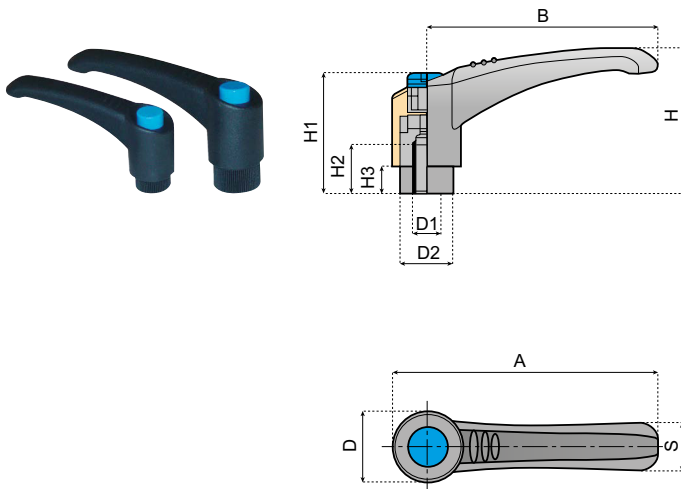
L	H	H1	D1	ITEM DESCRIPTION				
				M6	M8	M10		
D=30								
15	20,5	11,5	14	KNF-30H21-M6	KNF-30H21-M8	-	100	
D=40								
17	25,5	14,5	17	KNF-40H26-M6	KNF-40H26-M8	-		
D=50								
17	30	19	22	KNF-50H32-M6	KNF-50H32-M8	KNF-50H32-M10	100	

Chains & sprockets	Wear strips	Side guide brackets & accessories	Levelers	Engineering manual
Modular belts & sprockets	Chain & belt return systems	Frame & structure supports	Bearing supports	
Curves & tracks	Side guide solutions	Miscellaneous products	Equipment	



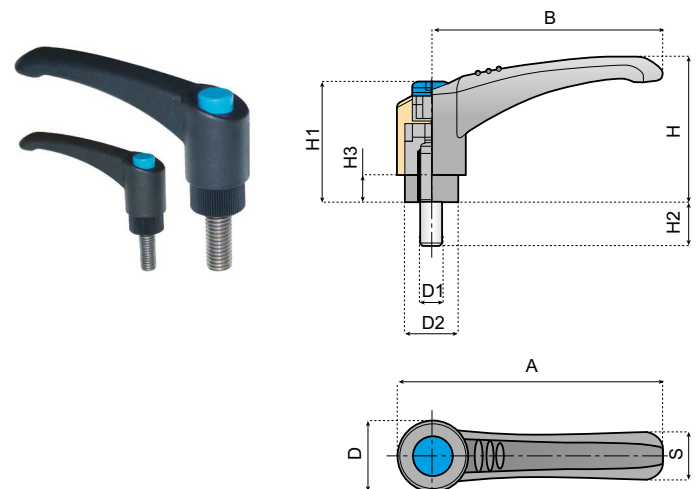
FEMALE VERSION

Material: polyamide, insert in nickel plated brass.



MALE VERSION

Material: polyamide, threaded insert in stainless steel AISI 304.



Dimensions applicable for both versions

FEMALE VERSION			
ITEM DESCRIPTION	D1	H2	
RH-45-M6-S	M6	8	
RH-65-M8-S	M8	11	
RH-80-M10-S	M10	16	

THREAD	A	B	H	D	S	D2	H1	H3
M6	53	45	33,5	16	10,5	12	29	7,5
M8	75	65	41	20	13,5	15	34	7,5
M10	92	80	53	24	16,5	20	44	7,5

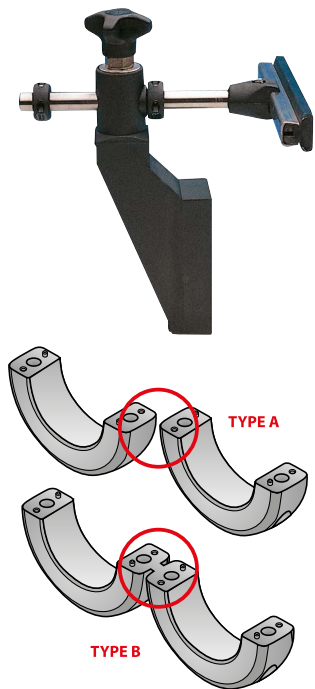
MALE VERSION			
ITEM DESCRIPTION	D1	H2	
RH-45-M615-S	M6	15	
RH-45-M620-S		20	
RH-45-M630-S		30	
RH-65-M820-S	M8	20	
RH-65-M825-S		25	
RH-65-M830-S		30	
RH-65-M860-S	M10	60	
RH-80-M1025-S		25	
RH-80-M1030-S		30	

Chains & sprockets	Wear strips	Side guide brackets & accessories	Levelers	Engineering manual
Modular belts & sprockets	Chain & belt return systems	Frame & structure supports	Bearing supports	
Curves & tracks	Side guide solutions	Miscellaneous products	Equipment	

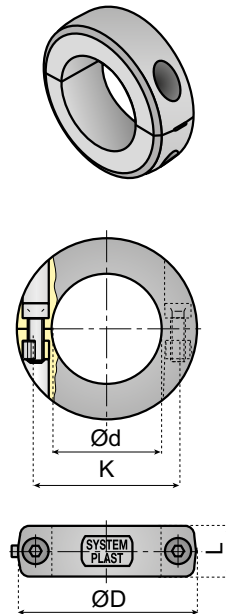
5 4 6 3 0 a

SET COLLARS

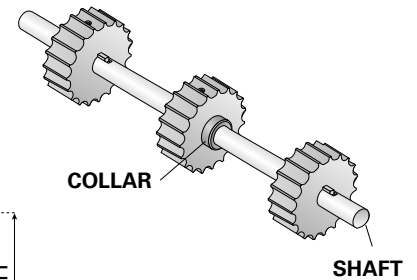
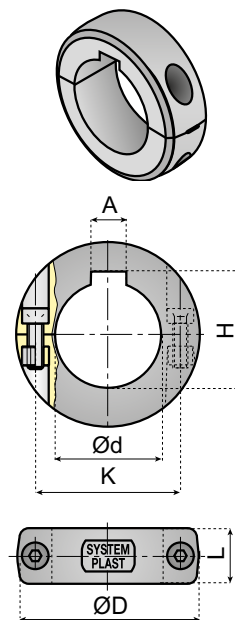
www.SystemPlastSmartGuide.com



VERSION ROUND BORE

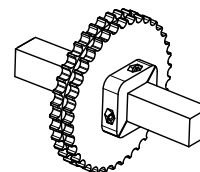
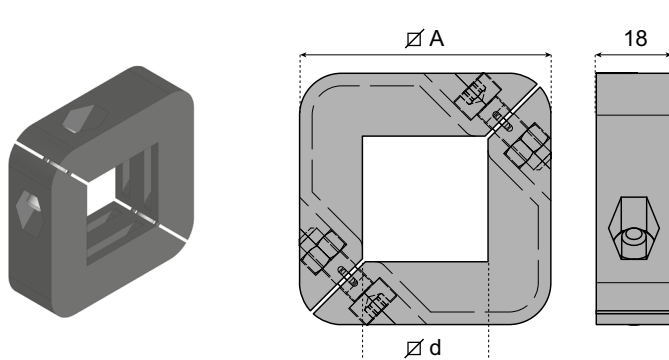


VERSION WITH KEYWAY



Ø d	Ø D	L	K	M	TYPE	VERSION ROUND BORE		VERSION WITH KEYWAY	
						ITEM DESCRIPTION	A (P9)	H (+0,2/+0)	ITEM DESCRIPTION
10	30	12	20	M3	B	VG-SC-R10M	-	-	-
12	30	12	20	M3	A	VG-SC-R12M	-	-	-
14	28	12	20	M3	A	VG-SC-R14M	-	-	-
15	39	14	27	M4	B	VG-SC-R15M	-	-	-
16	30	12	22	M3	A	VG-SC-R16M	-	-	-
18	39	14	27	M4	A	VG-SC-R18M	-	-	-
20	39	14	29	M4	A	VG-SC-R20M	-	-	-
25	45	14	34	M4	A	VG-SC-R25M	8	28,3	VG-SCK-R25M
30	50	16	39	M4	A	VG-SC-R30M	8	33,3	VG-SCK-R30M
30	49	14	39	M4	A	VG-SCL-R30M	-	-	-
35	57	16	45	M5	A	VG-SC-R35M	10	38,3	VG-SCK-R35M
40	64	18	51,5	M5	A	VG-SC-R40M	12	43,3	VG-SCK-R40M
40	64	14	51,5	M4	B	VG-SCL-R40M	-	-	-

SQUARE SPLIT SHAFT COLLAR



Ø d	Ø A	ITEM DESCRIPTION
30x30	60x60	VG-SC-S30M
40x40	72x72	VG-SC-S40M
60x60	95x95	VG-SC-S60M

Material: reinforced polyamide, bolts in stainless steel and insert in nickel plated brass.