

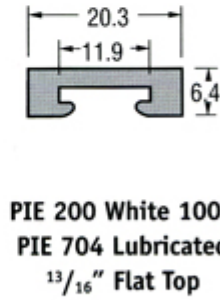
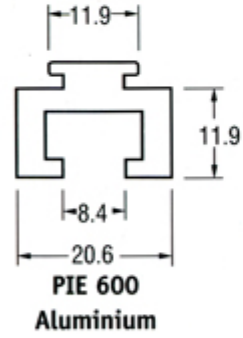
# Aluminium Guide Rails and Wear Strips

All guide rails are made from rugged high quality aluminium and are available separately or supplied with a choice of 1000 grade UHMW Polyethylene wear strips with outstanding resistance to impact and wear.

All UHMW-PE wear strips are FDA and USDA approved for direct contact with food.

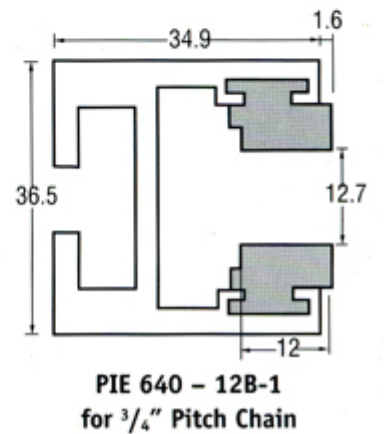
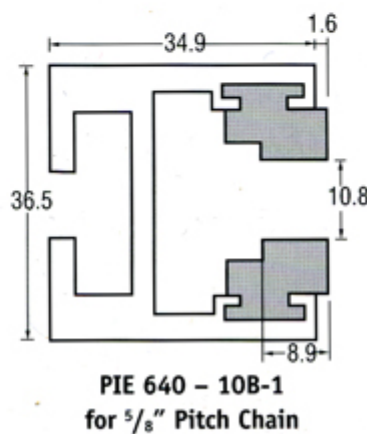
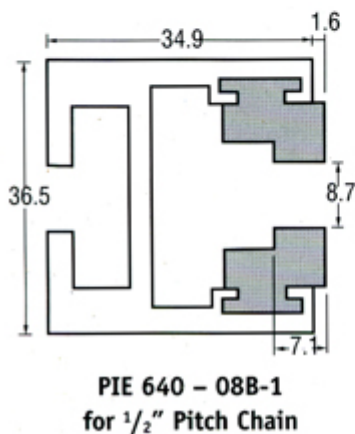
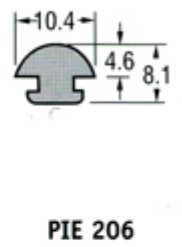
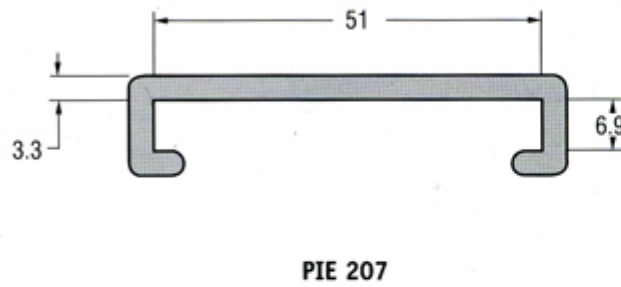
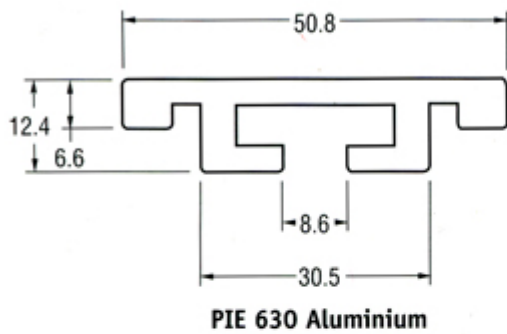
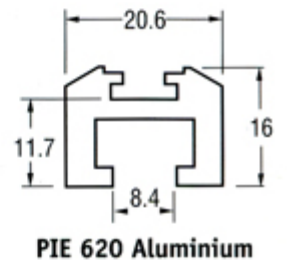
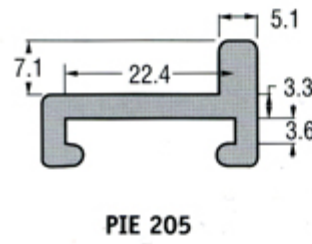
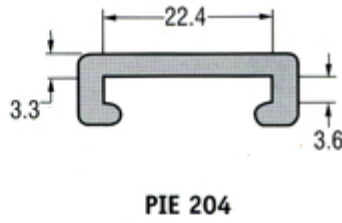
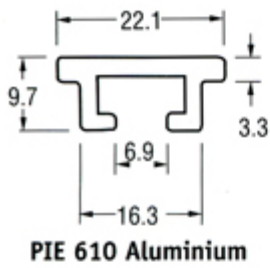
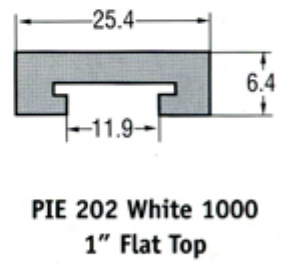
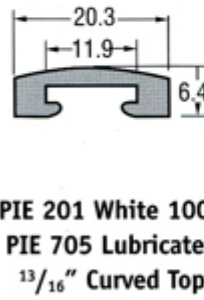
Although these profiles are supplied as standard in White 1000 grade UHMW-PE they are also available in anti-static UHMW-PE, lubricated UHMW-PE and custom colours. Standard lengths 10 foot and 20 foot, however, other sizes are available on request.

## Aluminium Guide Rail



## UHMW-PE Wear Strips

Wider sizes available on request



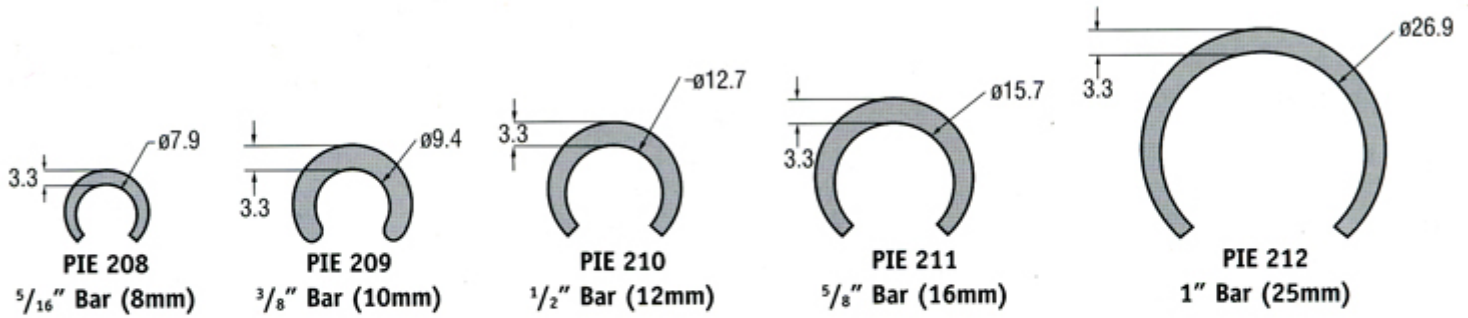
# Standard UHMW-PE Extruded Wear Strips

1000 grade UHMW Polyethylene wear strips with outstanding resistance to impact and wear.

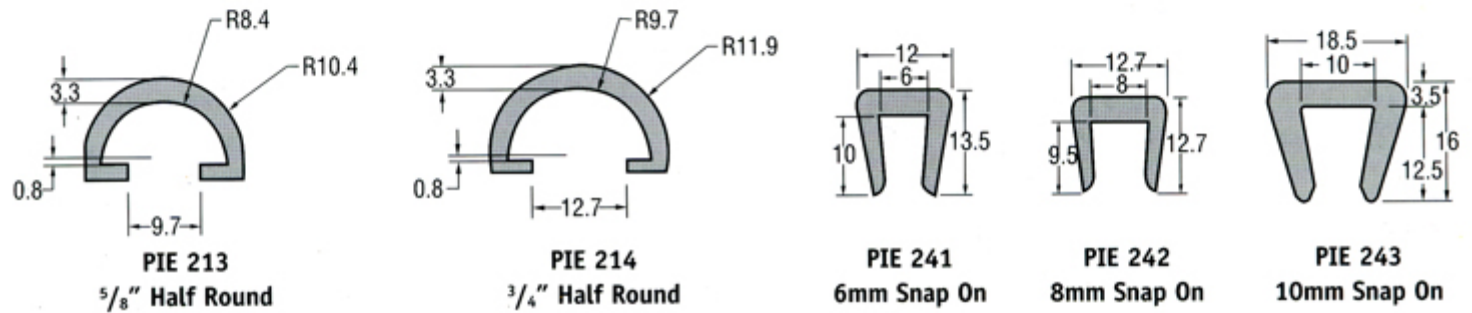
All UHMW-PE wear strips are FDA and USDA approved for direct contact with food. Although these profiles are supplied as standard in White 1000 grade UHMW-PE they are also available in anti-static UHMW-PE, lubricated UHMW-PE and custom colours.

Standard lengths 10 foot and 20 foot or coils.

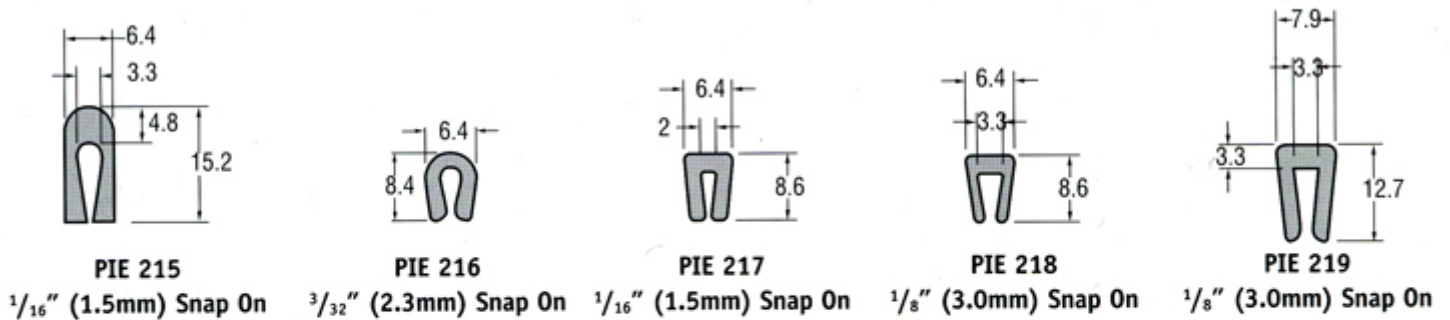
## Full Round Snap On



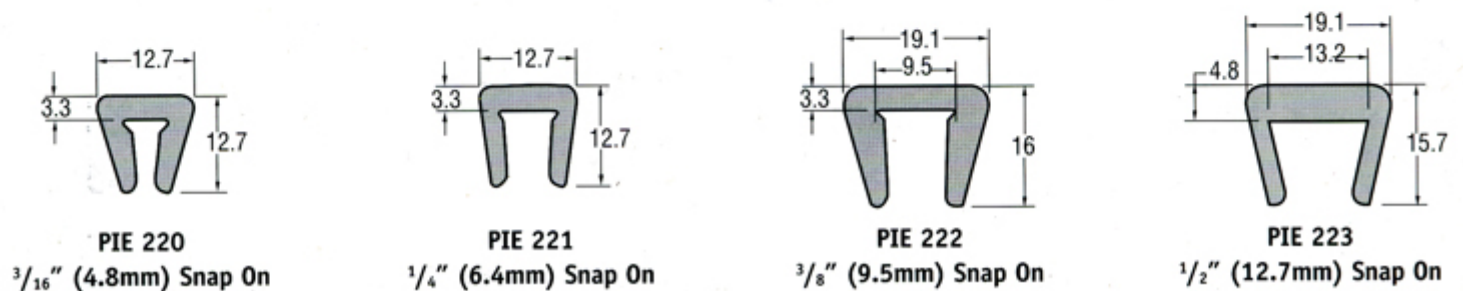
## Half Round



## Snap On



## Snap On

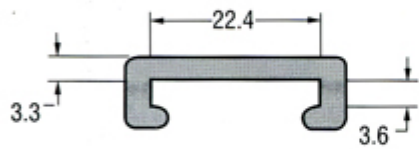


# Standard UHMW-PE Extruded Wear Strips

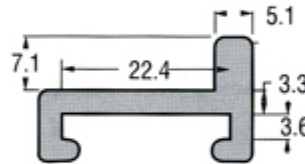
1000 grade UHMW Polyethylene wear strips with outstanding resistance to impact and wear.

All UHMW-PE wear strips are FDA USDA approved for direct contact with food. Although these profiles are supplied as standard in white 1000 grade UHMW-PE they are also available in anti-static UHMW-PE, lubricated UHMW-PE and custom colours. Standard lengths 10 foot, 20 foot or coils depending on profile.

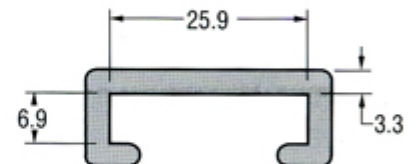
## C Section and Box Section



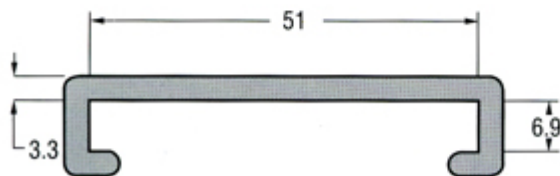
**PIE 204**  
To suit PIE 610 Aluminium



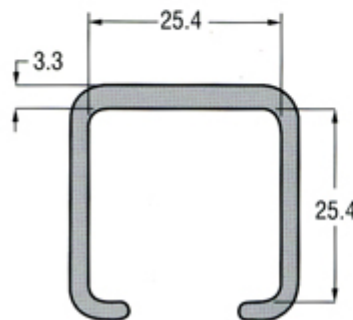
**PIE 205**  
To suit PIE 610 Aluminium



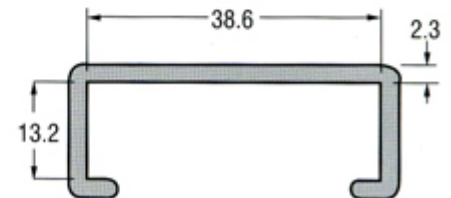
**PIE 226**  
 $\frac{1}{4} \times 1$ " Bar



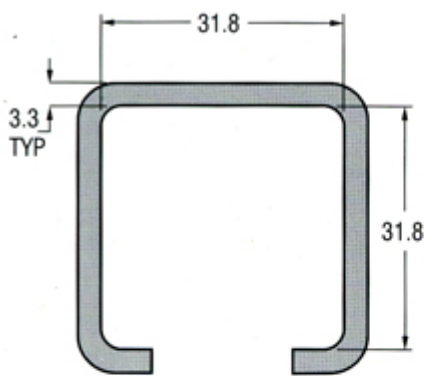
**PIE 207**  
 $\frac{1}{4} \times 2$ " Bar To suit PIE 630 Aluminium



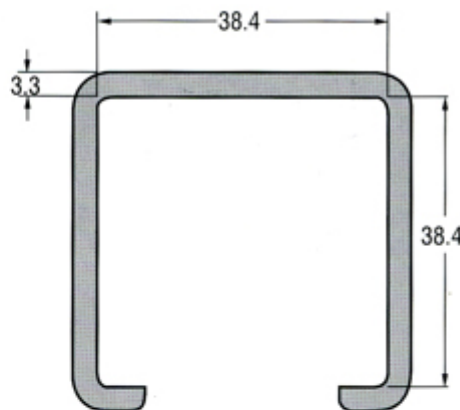
**PIE 227**  
1" x 1" Bar



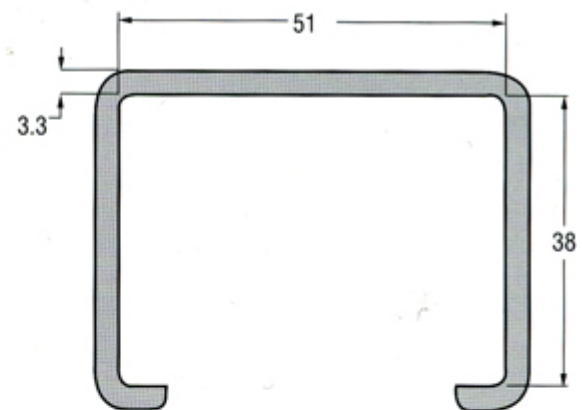
**PIE 228**  
 $\frac{1}{2} \times \frac{1}{2}$ " Bar



**PIE 229**  
 $1\frac{1}{4} \times 1\frac{1}{4}$  Bar (Available on request only)

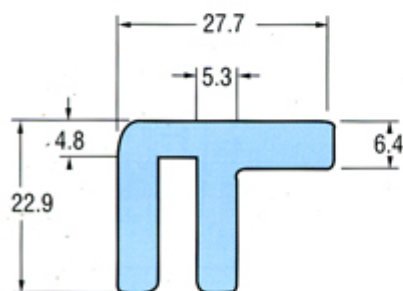


**PIE 230**  
 $1\frac{1}{2} \times 1\frac{1}{2}$  Bar (Available on request only)

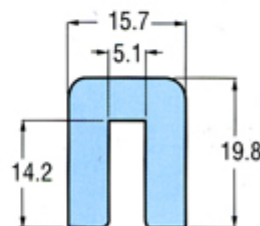


**PIE 231**  
 $1\frac{1}{2} \times 2$  Bar (Available on request only)

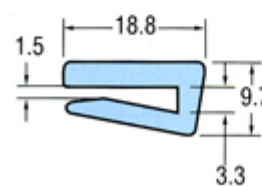
## Self-lubricated UHMW-PE (Grey in colour as standard)



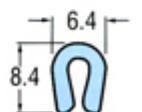
**PIE 700 Lubricated**  
PIE 232 White 1000



**PIE 701 Lubricated**  
PIE 233 White 1000



**PIE 702 Lubricated**  
PIE 235 White 1000



**PIE 703 Lubricated**  
PIE 216 White 1000

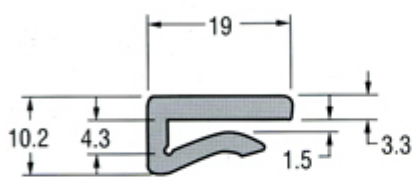


# Standard UHMW-PE Extruded Wear Strips

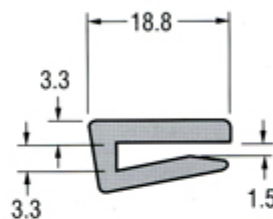
1000 grade UHMW Polyethylene wear strips with outstanding resistance to impact and wear.

All UHMW-PE wear strips are FDA USDA approved for direct contact with food. Although these profiles are supplied as standard in White 1000 grade UHMW-PE they are also available in anti-static UHMW-PE, lubricated UHMW-PE and custom colours.  
Standard lengths 10 foot or 20 foot or coils.

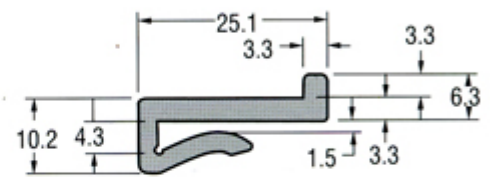
## J Leg Section – All these Profiles Snap On 3mm or 1/8"



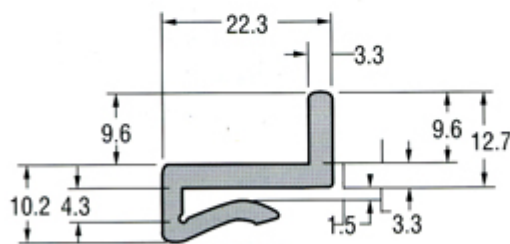
PIE 234



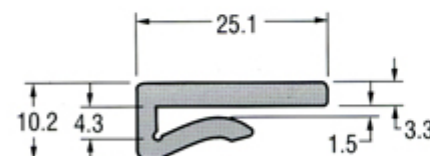
PIE 235



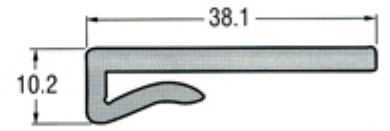
PIE 236



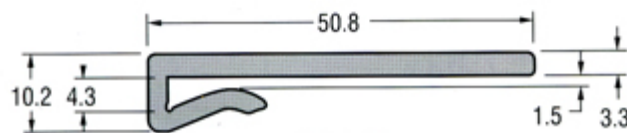
PIE 237



PIE 238

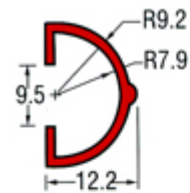


PIE 239



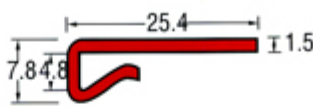
PIE 240

## Nylon Lubricated MoS2 Extrusions (Brown in colour as standard)



PIE 300

Lubricated Nylon



PIE 301

Lubricated Nylon



PIE 302

Lubricated Nylon

### Reference codes

- 100 Series = Stainless Steel Guide Rail
- 200 Series = UHMW-PE 1000 Grade Extrusions
- 300 Series = MoS2 Lubricated Nylon
- 600 Series = Aluminium Extrusions
- 700 Series = Self-lubricated Food Grade UHMW-PE

## Typical physical properties

Properties	Units	1000 grade	Self-lubricated	PTFE	Nylon
Tensile Yield Strength	MN/m <sup>2</sup>	23.44	18.34	31.02	
Ultimate Elongation	%	450	360	300	
Specific Gravity	@ 23°C	.94	.94	2.16	
Hardness	Shore 'D'	64	64	54	
Impact Strength	Nm/m of notch	1600	1175		
Water Absorption	% by weight Gain/24 hrs	NIL	.01	.02	
Thermal Expansion Rate	10 <sup>-4</sup> m/ m/°C	2.0	2.3	2.1	
Operating Temp. Range	°C	-240/99	0/60	-240/230	-40/100
Avg. Coeff. of Friction	Journal	.15/.25	.05/.12		.20
Static Load Capacity	KN/m <sup>2</sup>	150	87		150
Max. Surface Speed	m/min.	30	152		30